



User's Manual

Fire Alarm Back-up UPS1481 UNIT

Emergency Power Systems

Doc #. 6002-1646
Revision X8

Installation and Operating Documentation

OnLine Power

FIRE ALARM BACK-UP UPS1481 UNIT,

Congratulations on selecting one of the fine products from On-Line Power, the Leader in Power Protection Technology. Our wide product offering includes Uninterruptible Power Systems (UPS), Power Conditioners, Automatic Voltage Regulators and Specialty Transformers (e.g. computer-grade, medical-grade). Since our beginning, On-Line Power has shipped many of these fine products around the world, to discerning customers, for use on sensitive equipment and critical applications. Our customers, both new and long-time, continue to enjoy security and peace of mind as they realize what it means to "When the lights go out, we turn on".

One of our goals is to make these manuals both comprehensive and easy to use. This **new-format** Technical Manual is the result of ideas and inputs from customers who have taken an active interest in our continued success. We invite constructive feedback on our products and documentation via fax, mail or telephone.

HEADQUARTERS

On-Line Power
5701 Smith Street
Commerce, CA 90040

SALES

Phone (800) 227-8899
Phone (323) 721-5017
FAX No. (323) 721-3929
email: sales@onlinepower.com

Office Hours
7:30 AM to 5:00 PM PST

**On-Line Power, Inc.
Proprietary Reproduction or Distribution forbidden**

**NOTICE: THIS DOCUMENT CONTAINS PROPRIETARY
INFORMATION**

This document contains proprietary and confidential information of On-Line Power, Inc. ("On-Line Power"). In consideration of the receipt of this document, the recipient agrees not to copy any of its contents, nor disclose them to or allow them to be used by any person not currently a On-Line Power employee or an employee of the recipient having a need to know, without the express written consent of On-Line Power, and further agrees to surrender this document to On-Line Power when the reason for its receipt has terminated.

SAFETY

Safety precautions are important when operating or servicing electrical equipment. The following symbols are used extensively throughout this manual. Always need these precautions since they are essential to the safe operation and servicing of this product.



THIS DANGER SYMBOL IDENTIFIES A CONDITION OR ACTION WHICH WILL RESULT IN SEVERE INJURY OR DEATH TO AN INDIVIDUAL OR SEVERE DAMAGE TO EQUIPMENT OR OTHER PROPERTY.



This Caution symbol identifies a condition or action which may result in minor injury to an individual or minor damage to the equipment or other property.

This unit was designed for specific applications. It should **not** be modified and/or used for any application other than for that which it was designed. Optional equipment not described in the sales literature or this manual should not be installed without first checking with the Service department. If you have any questions about this unit's application call the Service department at the number shown on the previous page.

IMPORTANT SAFETY INSTRUCTIONS SAVE THESE INSTRUCTIONS

This technical manual contains important instructions for models WR3.0, W5.0R, WR7.5, WR010, WR012 and WR015 that should be followed during installation and maintenance of the UPS and batteries.

TABLE OF CONTENTS

| SECTION | | PAGE |
|------------------------|--|-------|
| SECTION 1 | OPERATION | 1 |
| 1-1 | INTRODUCTION | 1 |
| 1-2 | BENEFITS | 2 |
| 1-3 | PRODUCT FEATURES | 1, 5 |
| 1-4 | CUSTOMERS CONNECTIONS | 6-9 |
| 1-5 | Fire Alarm Back-up UPS1481 SIZING | 9 |
| 1-6 | OUTPUT LOADS | 9 |
| 1-7 | OPTIONS | 9 |
| SECTION 2 | PREINSTALLATION | 11 |
| 2-1 | SITE PLANNING AND PREPARATION | 12 |
| 2-1-1 | LOCATION CONSIDERATIONS | 13 |
| 2-2 | PRE-INSTALLATION | 14 |
| 2-3 | ELECTRICAL CONNECTIONS | 14 |
| 2-3-1 | REMOTE SIGNALING CONNECTIONS | 15 |
| 2-4 | STORAGE | 16 |
| SECTION 3 | OPERATION | 18 |
| 3-1 | START-UP PROCEDURES | 18 |
| 3-2 | OPERATION | 19 |
| 3-2-1 | TURN-ON THE Fire Alarm Back-up UPS1481 | 19 |
| 3-2-2 | TURN-OFF THE Fire Alarm Back-up UPS1481 | 19 |
| 3-3 | THEORY OF OPERATION | 19-20 |
| 3-4 | COMPONENT LOCATION | 22-24 |
| 3-5 | MAJOR COMPONENTS | 25 |
| 3-5-1 | CONTROL BOARD | 25 |
| 3-5-2 | OTHER PARTS | 25 |
| 3-5-3 | HEATSINK ASSEMBLY | 25 |
| APPENDIX A - | EXTENDED BATTERY RUN CHART | 26 |
| APPENDIX B - | OPTIONAL MAIN INPUT & OUTPUT CIRCUIT BREAKER | 27-28 |
| APPENDIX C - | LCD DISPLAY MENU AND TROUBLE SHOOTING | 29-31 |
| APPENDIX D - | SPECIFICATIONS. | 32-33 |
| S/D:6120-795, 6120-796 | | 34-35 |
| BATTERY DIAGRAMS | | 36-43 |

REVISION HISTORY

| <u>REV</u> | <u>DATE</u> | <u>PRIMARY REASON FOR CHANGE</u> |
|------------|---------------|----------------------------------|
| X1 | APRIL 4, 2004 | RELEASE FOR PRODUCTION |
| X2 | FEB 22, 2005 | RELEASE FOR PRODUCTION |
| X3 | OCT 30, 2006 | UPDATE |
| X4 | NOV 03, 2006 | UPDATE P11, P29. |
| X5 | MAY 21, 2007 | UPDATE |
| X6 | JUN 21, 2007 | UPDATE |
| X7 | Nov. 15, 2007 | Per UL Review |
| X8 | MAY 30, 2008 | PER UL REVIEW |

LIST OF EFFECTIVE PAGES

| <u>PAGE</u> | <u>REV</u> | <u>PAGE</u> | <u>REV</u> | <u>PAGE</u> | <u>REV</u> |
|-------------|------------|-------------|------------|-------------|------------|
| a | X7 X8 | | | | |
| ii | X7 X8 | | | | |
| 1 | X7 X8 | | | | |
| 5 - 9 | X7 X8 | | | | |
| 12 - 13 | X7 X8 | | | | |
| 18 - 19 | X7 X8 | | | | |
| 22 | X7 X8 | | | | |
| 26 - 27 | X7 X8 | | | | |
| 29 | X7 X8 | | | | |
| 31-40 | X7 X8 | | | | |

SECTION 1 _ OPERATION

1-1 INTRODUCTION

The Fire Alarm Back-up UPS1481 provides an exceptional level of load protection and monitoring capabilities. The critical load is provided with conditioned, regulated, computer grade power at all times. There is complete electrical isolation between the input and output voltage of the UPS.

When input power to the UPS is lost, such as during a power outage, the UPS automatically draws power from its internal battery supply. The critical load receives only clean sine wave power. There are no disturbances or power interruptions on the output when the UPS transfers to battery operation. Transfers to and from battery operation are “No Break” transfers. The internal maintenance-free batteries provide ten (10) to fifteen (15) minutes (depending upon model) of backup power. The 10 and 15 kVA models have separate battery cabinets.

Upon restoration of input power, the UPS automatically resumes normal operation. Also the UPS immediately begins to recharge the batteries.

The Fire Alarm Back-up UPS1481 provides comprehensive monitoring capabilities. In addition to the LED indicators and audible alarm, the Fire Alarm Back-up UPS1481 contains a 160 alpha-numeric display and touch pad. UPS status, event history, and operating parameters (such as input, output voltage) are readily available to the operator via the touch pad and display. The UPS 1481 contains, as standard features, an AS/400 interface, RS-232 interface, and printer interface.

The Fire Alarm Back-up UPS1481 is an on—line single phase UPS available in output ratings of 3, 5, 7.5, 10, 12.5 and 15kVA. The UPS 1481 is U.L. listed under UL1481. The Fire Alarm Back-up UPS1481 is available with input voltages of 120 and 240/VAC and output voltages of 120/240/VAC. This information is provided on the name plate located on the rear panel of the UPS. See Appendix A for a complete listing of the UPS 1481 specifications.

1-2 BENEFITS

The Fire Alarm Back-up UPS1481 is designed to fit the needs of virtually all power conditioning and UPS applications. It has been specifically designed to power all forms of modern data processing, communication, and process control equipment. The Fire Alarm Back-up UPS1481 does not require any decorating as other UPS products may when powering 100% electronic loads including switch—mode power supplies.

The Fire Alarm Back-up UPS1481 protects sensitive electrical equipment, such as computer systems, telecommunication networks, LANs and multi—user systems, and instrumentation

OnLine Power

systems, from electrical interference. The Fire Alarm Back-up UPS1481 protects these systems from power problems associated with poor quality AC power including complete power Outages. Electrical disturbances can come from practically anywhere: from the incoming power lines and even from within a building. Outside electrical disturbances include lightning strikes, utility switching, brown—outs, and accidents. Electrical disturbances from within a building can be caused by load cycling (elevators, HVAC systems), fault conditions, welders, and other electrically noisy equipment. Whether the electrical disturbances are generated outside or from within the facility, the following power problems will occur:

1-3 PRODUCT FEATURES

The following describes the major blocks within the Fire Alarm Back-up UPS1481. Please refer to Illustration. Block Diagram for additional information.

Bypass Static Switch — The SCR solid state switch bypasses the complete UPS and provides utility input directly to the load in case of problem with UPS. This switch also supplies input power to the load during the start up. It is connected on the primary side of the optional output isolation Transformer, when used. This switch maintains it's status opposite of that of the output SCR solid state switch.

Output Static Switch — This SCR solid state switch connects the output of the inverter (UPS) to the load. It is connected on the primary side of the optional output isolation transformer, when used. This switch shuts—off in case of a problem or failure within the UPS and transfers the load directly to the utility input via bypass static switch. It maintains it's status opposite to that of bypass switch.

Power Board with IGBTs — The Power board is bolted onto the IGBT blocks that are mounted on a heat sink. The complete heat sink assembly with IGBT and power board is replaceable as one part. This assembly processes ail the power, ie. input AC power converted to DC bus, battery power boosted to DC bus and finally DC bus power converted to output AC power using PWM technology for smooth AC Sinewave. The complete heat sink assembly is easily replaceable using only a screwdriver, in case of a catastrophic failure, if required. This board also has the housekeeping power supplies and driver circuits for IGBTs. This board also provides the landing place for all internal input, output, and DC cables as well as it monitors the input-output current for control and metering.

Control Board — The microprocessor with programmable logic controllers and on board memory is located on this board. It is mounted on the door and communicates, controls, and monitors the power board via a ribbon cable. This board also senses the input AC and sends the command to close/open the input contactor, bypass static switch and output static switch. This board also sends all the data to the LCD display panel located on the door. It also has modem, AS400, RS232, and RS485 output capabilities.

LCD Display Panel — This front panel provides all the metering data for input, output and battery; alarm data and UPS status for customer use in a constantly changing and updating, the 3 sets of the screens.

OnLine Power

Optional Output Isolation Transformer — This transformer is provided when the input and output voltages are different, or multiple output voltages are required or an isolation at output is required. The power to the primary of this transformer is selected either from UPS via output static switch and from utility input via bypass static switch. The two static switches toggle on/off as controlled by control board.

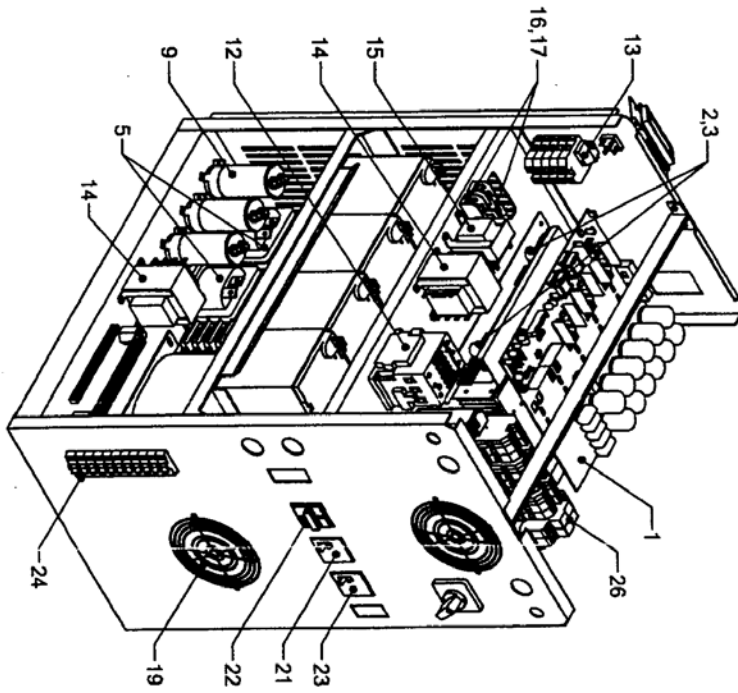
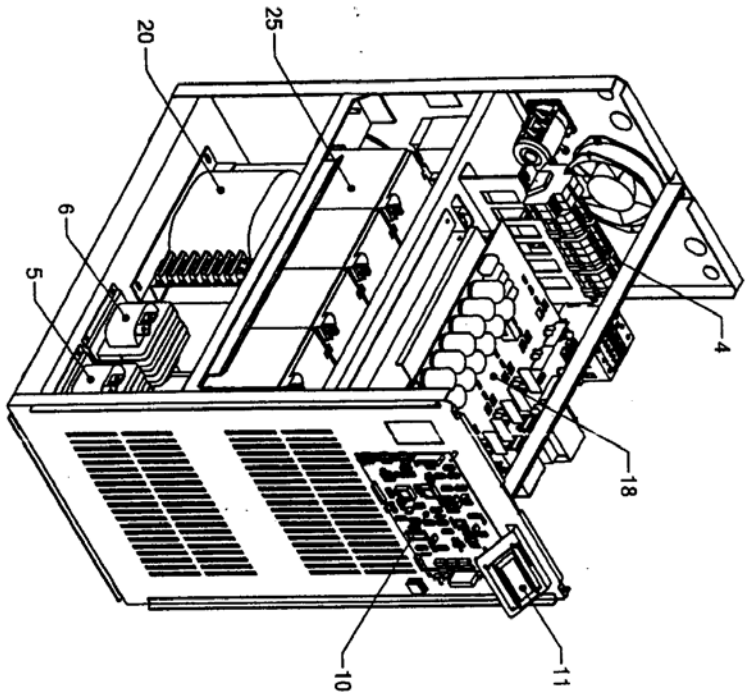
Battery Charger — The battery charger maintains the batteries at full charge. After a battery discharge, the charger will automatically recharge the batteries upon restoration of input power.

Battery Bank — The battery bank consists of sealed, maintenance free batteries. The batteries provide emergency power during power outages. The battery bank includes a breaker for overcurrent protection and DC disconnect.

Input Contactor — The input contactor serves several functions. First, the input contactor provides connections for the input power to the UPS. Secondly, the contactor disconnects the input line when an outage occurs so that there is no back feeding of power into the power line. Thirdly, the contactor allows for automatic UPS operation upon a complete discharge of the batteries. No operator intervention is required when power to the Lips is restored after a complete battery discharge.

Control Electronics — The control electronics, utilizing a micro_processor, for monitoring provides all required logic signals within the UPS and interfaces with remote devices via the interface ports such as the AS/400 interface.

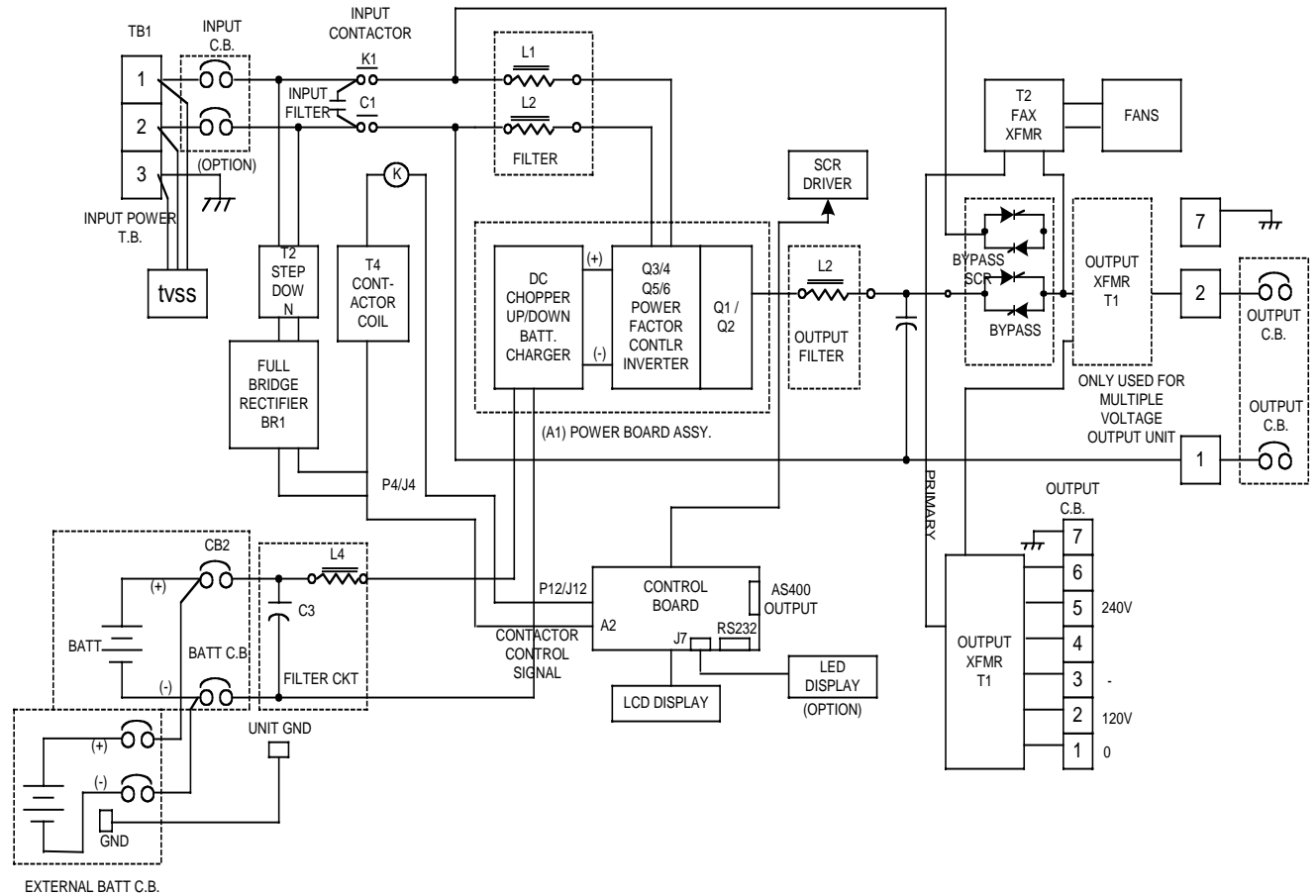
OnLine Power



OnLine Power

1-3 FUNCTIONAL BLOCK DIAGRAM (CONTINUED)

THE FUNCTIONAL BLOCK DIAGRAM OF U.P.S.

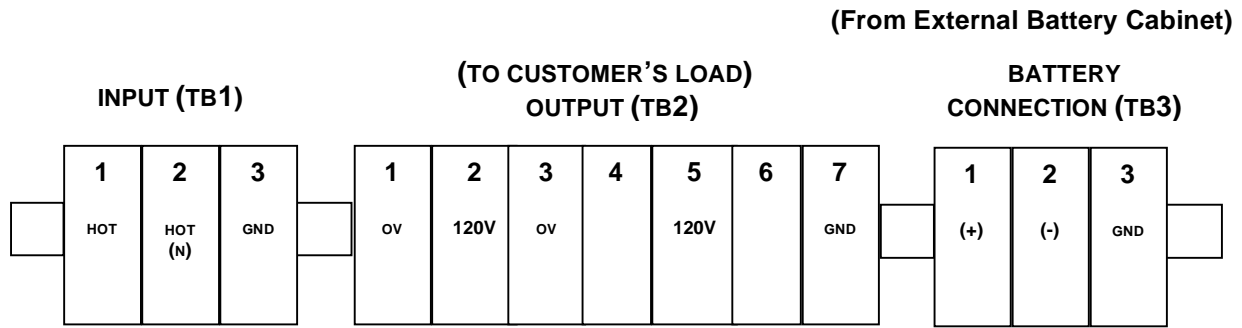


OnLine Power

1-4 CUSTOMERS CONNECTIONS

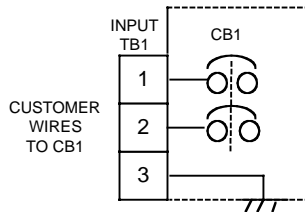
1-4-1 Input Power Connection by Customer (with no input C/B option)

- Connect input (Hot) at TB-1
- Connect input Hot / Neutral at TB1-2
- Connect input ground at TB1-3

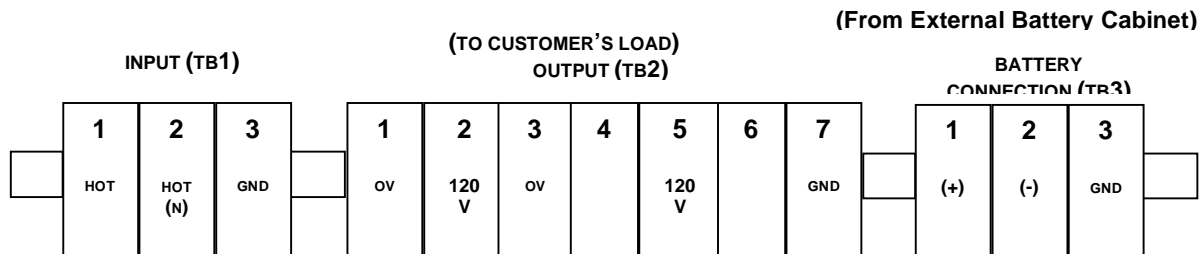


**PROTECTOR CUSTOMER'S CONNECTION TERMINAL BLOCK
ILLUSTRATION 1 - 5**

Input wirings for various input voltages are same.
When input circuit breaker is used, input CB1 is installed in inside of the UPS.



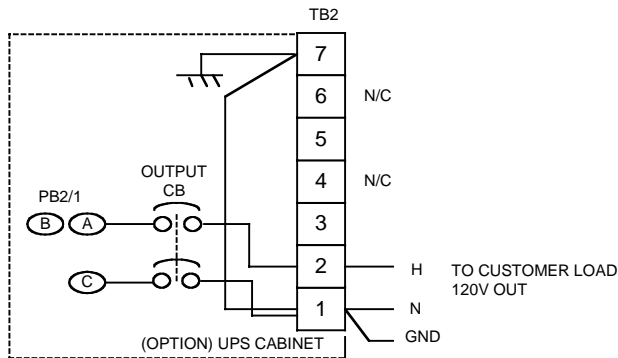
**PROTECTOR CUSTOMER'S CONNECTION TERMINAL BLOCK
ILLUSTRATION 1-6**



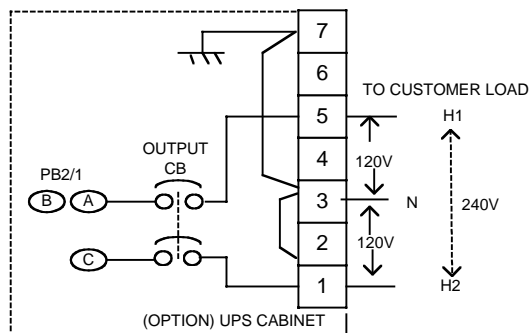
OnLine Power

1-4-2 OUTPUT POWER CONNECTION BY CUSTOMER FOR SAME INPUT AND OUTPUT VOLTAGE UNIT @ WITHOUT OUTPUT XFMR.

1. 120V IN/OUTPUT UNIT



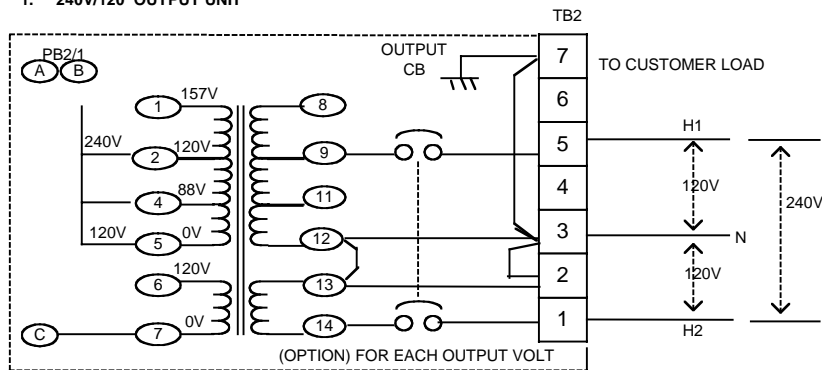
2. 240V IN/OUTPUT UNIT



OnLine Power

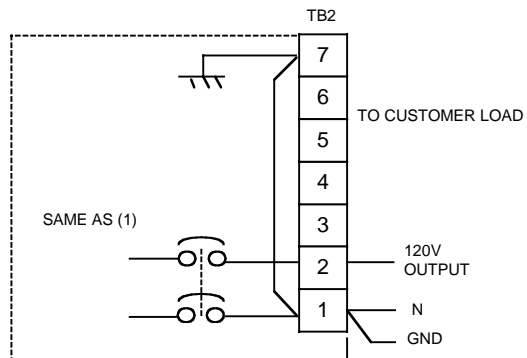
1-4-3 OUTPUT POWER CONNECTION BY CUSTOMER FOR DIFFERENT INPUT / OUTPUT VOLTAGES USING OUTPUT XFMR.

1. 240V/120 OUTPUT UNIT



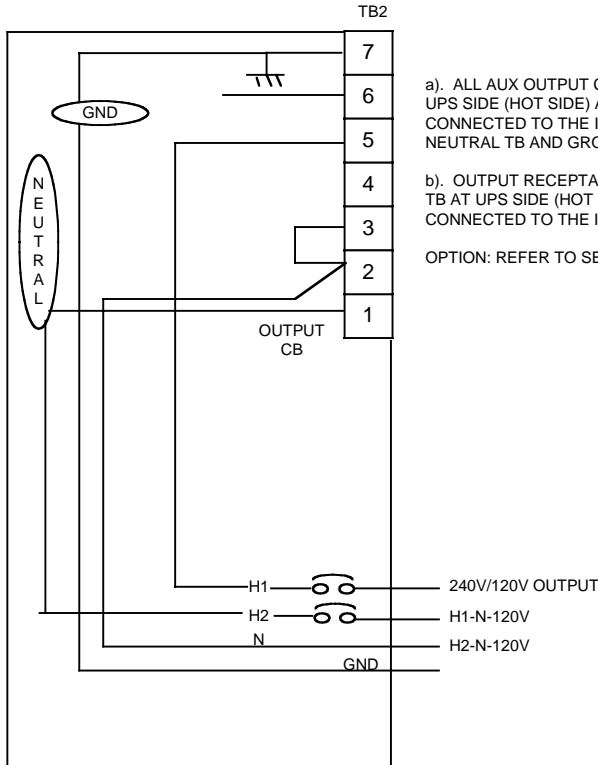
CONNECT TO TB2-1 FOR 120 VOLT UNITS, BUT
240/120V UNIT CONNECT TO TB2-3

2. 120V OUTPUT UNIT



OnLine Power

3. WITH EXTRA AUX. OUTPUT CIRCUIT BREAKERS FOR VARIOUS OUTPUT VOLTAGES.



a). ALL AUX OUTPUT CIRCUIT BREAKERS ARE CONNECTED AT UPS SIDE (HOT SIDE) AND CUSTOMER LOAD SHALL BE CONNECTED TO THE INDIVIDUAL AUX CBX NEUTRAL WIRES TO NEUTRAL TB AND GROUND WIRES TO GROUND TB

b). OUTPUT RECEPTACLES ARE CONNECTED TO TB2-OUTPUT TB AT UPS SIDE (HOT SIDE) AND CUSTOMER LOAD SHALL BE CONNECTED TO THE INDIVIDUAL AUX. RECEPTACLES.

OPTION: REFER TO SECTION 4-2

ALL AUX OUTPUT CB
[1P, 20AMP RATED CB'S AS A STANDARD
THE CURRENT AVAILABLE FROM THIS AUX
CB IS LIMITED TO THE TOTAL KW OF EACH
UNIT].

1-5 The Fire Alarm Back-up UPS1481 SIZING

Each model of the Fire Alarm Back-up UPS1481 is designed to supply a maximum load which is given by its kVA (1000's of volt-amperes) and KW rating. It is very important that the load is within the rating of the FIRE ALARM BACK-UP ups1481 to ensure that the connected loads will be properly supported.

Volt - amperes (VA) are the number of current in amps a device draws multiplied by the nominal voltage supplied to the device. The total kVA of all the loads to be connected to the Fire Alarm Back-up UPS1481 is simply the sum of the kVA requirements of each device.

Each electrical device to be powered by the Fire Alarm Back-up UPS1481 should have a specification sheet attached to it which specifies the amount of power it requires. In addition, this information should also be listed in the manual supplied with each piece of equipment. The device's nameplate should list the electrical requirements of the device in some or all of the following units: nominal voltage, current, VA or kVA, and watts or KW. If VA or kVA is not given, then multiply the nominal input voltage by the current shown on the nameplate. Add up the kVA requirements of each device to be powered by the Fire Alarm Back-up UPS1481.

OnLine Power

The total load to be powered by the Fire Alarm Back-up UPS1481 must not exceed its rating. If the total load is exceeded, the Fire Alarm Back-up UPS1481 monitoring will sense an overload condition and a summary alarm will occur. The overload condition must be corrected by increasing the kVA rating of the Fire Alarm Back-up UPS1481.

1-6 OUTPUT LOADS

The Fire Alarm Back-up UPS1481 is designed to power any critical, computer, florescent, or incandescent lighting. There are some types of loads which require an excessive inrush current when first turned on or at other times during its operation.

The capacity of the Fire Alarm Back-up UPS1481 may need to be greater than what would be estimated based on the nameplate requirements of loads previously discussed. Contact your On Line Power dealer or the factory directly if you have any questions about powering unusual loads from your Fire Alarm Back-up UPS1481 .

1-7 OPTIONS

The following options are available with the Fire Alarm Back-up UPS1481 :

AS400 ————
RS232 ————

"Connect to these circuits are to remain in the same room. DB9 connectors on the control PCBD".

Normally On / Off circuit(s) at output.
Extended battery run times.

SECTION 2 . INSTALLATION

2-1 SITE PLANNING AND PREPARATION

The Fire Alarm Back-up UPS1481 is designed for installation indoors and meets NEMA specifications for operating temperature, humidity, and utility voltage. These cabinets are corrosion resistant and rugged. The footprint of the Fire Alarm Back-up UPS1481 is less than 6 square feet. Listed below are the environmental specifications for the Fire Alarm Back-up UPS1481.

Adequate clearance in the front of the equipment should be provided for service access.

OPERATING ENVIRONMENT

- AMBIENT TEMPERATURE 0°C to 49° C
- OPERATING ALTITUDE 1,829 M (6,000 FT) DERATE 10% FOR EACH ADDITIONAL 305 M (1,000 F~) UP TO 2,744 m (9,000 FT)
- RELATIVE HUMIDITY 0% to 95% (non-condensing)

Operating the Fire Alarm Back-up UPS1481 and batteries at either extreme of the temperature range may affect the long-term reliability of the system. This is especially true of the sealed, maintenance-free batteries. Sealed, maintenance-free batteries are designed to operate at normal room temperatures (72 to 77°F).

STORAGE ENVIRONMENT.

Provide a storage environment which meets the following conditions:

- AMBIENT TEMPERATURE -30°C to 70°C
- RELATIVE HUMIDITY 0% to 95% non-condensing

**TABLE 2-1
SITE PLANNING SPECIFICATIONS FOR KVA UNIT**

| | MODEL NUMBER | IKW / kVA | INPUT VOLTAGE | INPUT AMP | OUTPUT VOLTAGE | OUTPUT AMP | | DC VOLT | DC AMP | QTY. BATT PER SET | APPROX. W/O BATT WEIGHT |
|----|---------------|-----------|---------------|-----------|----------------|------------|-------|---------|--------|-------------------|-------------------------|
| 1 | WR3.0A58FPT1 | 3.0 | 120 | 40 | 120/240 | 25.00 | @120 | 96V | 43A | 8 | |
| 2 | WR3.0B58FPT1 | 3.0 | 208 | 19 | 120/240 | | | 96V | 43A | 8 | |
| 3 | WR3.0D58FPT1 | 3.0 | 240 | 19 | 120/240 | 12.50 | @240 | 96V | 43A | 8 | |
| | | | | | | | | | | | |
| 5 | WR5.0A58FPT1 | 5.0 | 120 | 58 | 120/240 | 41.70 | @120 | 120V | 57A | 10 | |
| 6 | WR5.0B58FPT1 | 5.0 | 208 | 30 | 120/240 | | | 120V | 57A | 10 | |
| 7 | WR5.0D58FPT1 | 5.0 | 240 | 30 | 120/240 | 21.00 | @240 | 120V | 57A | 10 | |
| | | | | | | | | | | | |
| 9 | WR7.5B58FPT1 | 7.5 | 208 | 44 | 120/240 | 62.5 | @ 120 | 120V | 86A | 10 | |
| 10 | WR7.5D58FPT1 | 7.5 | 240 | 41 | 120/240 | 31.3 | @240 | 120V | 86A | 10 | |
| | | | | | | | | | | | |
| 12 | WR010B58FPT1 | 70.0 | 208 | 44 | 120/240 | 83.0 | @ 120 | 192V | 71A | 16 | |
| 13 | WR010D58FPT1 | 10.0 | 240 | 58 | 120/240 | 41.5 | @240 | 192V | 71A | 16 | |
| | | | | | | | | | | | |
| 15 | WR012B58FPT1 | 12.5 | 208 | 73 | 120/240 | 104.2 | @ 120 | 192V | 88A | 16 | |
| 16 | WR012D58FPT1 | 12.5 | 240 | 69 | 120/240 | 52.1 | @240 | 192V | 88A | 16 | |
| | | | | | | | | | | | |
| 18 | WR015B58 FPT1 | 15.0 | 208 | 85 | 120/240 | 125.0 | @ 120 | 240V | 84A | 20 | |
| 19 | WR015D58FPT1 | 15.0 | 240 | 83 | 120/240 | 62.5 | @240 | 240V | 84A | 20 | |
| | | | | | | | | | | | |
| 21 | WR3.0A01FPN1 | 3.0 | 120 | 40 | 120 | 25.00 | @ 120 | 96V | 43A | 8 | |
| 22 | | | | | | | | | | | |
| 23 | | | | | | | | | | | |
| | | | | | | | | | | | |
| 25 | WR5.0A01FPN1 | 5.0 | 120 | 58 | 120 | 41.70 | @ 120 | 120V | 57A | 10 | |
| 26 | | | | | | | | | | | |
| 27 | | | | | | | | | | | |
| | | | | | | | | | | | |
| 29 | | | | | | | | | | | |
| 30 | | | | | | | | | | | |
| | | | | | | | | | | | |
| 32 | | | | | | | | | | | |
| 33 | | | | | | | | | | | |
| | | | | | | | | | | | |
| 35 | | | | | | | | | | | |
| 36 | | | | | | | | | | | |
| | | | | | | | | | | | |
| 38 | | | | | | | | | | | |
| 39 | | | | | | | | | | | |

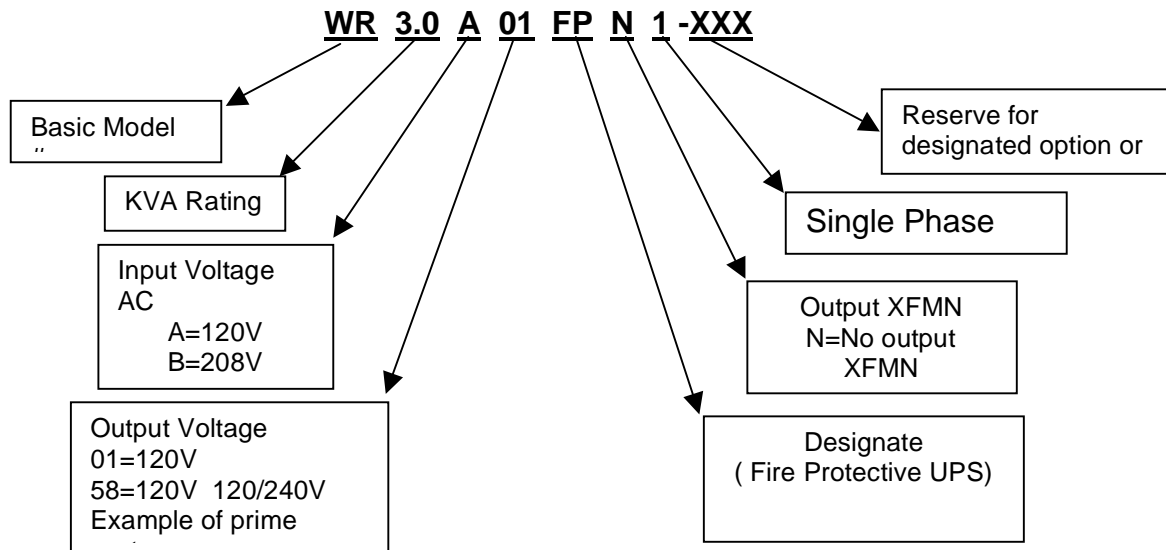
NOTE: FP DENOTES – FIRE PROTECTION Fire Alarm Back-up UPS1481 SERIES.

OnLine Power

UL1481 MICRO-CHIPS & OTHER COMPONENT'S LIST

| | MODEL NUMBER | INPUT KW / KVA | OUTPUT VOLTAGE | MICRO-CHIP SOFTWARE | BASIC UPS KIT | LABEL KIT | INPUT CONTACTOR | BATT C.B. | FANS |
|----|--------------|----------------|----------------|---------------------|---------------|--------------|-----------------|-----------|----------|
| 1 | WR3.0A58FPT1 | 120 | 120/240V | 9100-1319-018UL | 9100-1312-11 | 9100-1295-02 | 1680-242 | 2025-769 | 1000-036 |
| 2 | WR3.0B58FPT1 | 208 | 120/240V | 9100-1319-023UL | | | | | |
| 3 | WR3.0D58FPT1 | 240 | 120/240V | 9100-1319-025UL | 9100-1312-11 | " | " | " | " |
| | | | | | | | | | |
| 5 | WR5.0A58FPT1 | 120 | 120/240 | 9100-1319-050UL | 9100-1312-11 | " | 1680-093 | 2025-768 | " |
| 6 | WR5.0B58FPT1 | 208 | 120V/240 | 9100-1319-055UL | 9100-1312-11 | " | " | " | |
| 7 | WR5.0D58FPT1 | 240 | 120/240 | 9100-1319-057UL | 9100-1312-11 | " | " | " | " |
| | | | | | | | | | |
| 9 | WR7.5B58FPT1 | 208 | 120/240 | 9100-1319-77UL | 9100-1312-11 | " | 1680-093 | 2025-759 | " |
| 10 | WR7.5D58FPT1 | 240 | 120/240V | 9100-1319-081UL | 9100-1312-11 | | " | " | |
| 11 | | | | | | " | " | " | " |
| 12 | WR010B58FPT1 | 208 | 120/240V | 9100-1319-101UL | 9100-1312-11 | " | 1680-139 | 2025-772 | |
| 13 | WR010D58FPT1 | 240 | 120/240 | 9100-1319-105UL | 9100-1312-11 | " | " | " | " |
| 14 | | | | | | | | | |
| 15 | WR012B58FPT1 | 208 | 120/240 | 9100-1319-125UL | 9100-1312-11 | " | 1680-187 | 2025-759 | |
| 16 | WR012D58FPT1 | 240 | 120/240 | 9100-1319-129UL | 9100-1312-11 | " | " | " | |
| 17 | | | | | | | | | |
| 18 | WR015B58FPT1 | 208 | 120/240 | 9100-1319-149UL | 9100-1312-11 | " | " | " | |
| 19 | WR015D58FPT1 | 240 | 120/240V | 9100-1319-153UL | 9100-1312-11 | " | " | " | " |
| 20 | | | | | | | | | |
| 21 | WR3.0401FPN1 | 120 | 120 | 9100-1319-017UL | 9100-1312-10 | " | 1680-242 | 2025-769 | " |
| | | | | | | | | | |
| 25 | WR5.0A01FPN1 | 120 | 120 | 9100-1319-049UL | 9100-1312-10 | | 1680-093 | 2025-768 | |

MODEL PART NUMBER NOMENCLATURE



OnLine Power

2-2 Pre-Installation

The Fire Alarm Back-up UPS1481 is designed for indoor installations. All customer connections are brought through knockouts located on the top or side of the Fire Alarm Back-up UPS1481. The Fire Alarm Back-up UPS1481 consists of one (1) integrated cabinet — housing both the electronics and batteries (depending on KVA). Before unpacking the equipment, inspect the exterior the shipping container and the equipment itself for damage that may have occurred during transit. If the shipping container or equipment itself shows evidence of damage, note the damage on the receiving document before signing for receipt of the equipment. Damage claims should be filed directly with the carrier.

2-2-1 Equipment Unpacking

Remove the equipment from the shipping carton. Since the 68” cabinet for 15KVA is designed for pad — mount installations, there are no casters. It is suggested that a fork lift be used to remove the Fire Alarm Back-up UPS1481 from its shipping pallet. Before placing the Fire Alarm Back-up UPS1481 onto the mounting bolts or leveller (where it will be installed), the conduit knockouts needs to be removed.

1. The conduit knockouts are located on the back-side of the cabinet for 3-15 KVA
2. Remove the conduit knockouts.
3. Measure the locations for the conduits on the conduit knockouts.
4. Drill or punch holes in the conduit knockouts for the conduits.

Anchor the Fire Alarm Back-up UPS1481 to the mounting pad at the four (4) mounting locations, by lowering levellers for 3-15 KVA units.

1. Anchor the conduits to the conduit knockouts
2. This concludes the mechanical installation.

2-3 Electrical Connections: “CAUTION & DE-ENERGIZE UNIT PRIOR TO SERVICING”

CAUTIONS CAUTION

Verify that all customer-supplied wiring is de-energized before performing any electrical work,

CAUTIONS CAUTION

Even when the Fire Alarm Back-up UPS1481 is off, there are potentially dangerous voltages within the Fire Alarm Back-up UPS1481 due to the batteries. Extreme care must be taken when working within the Fire Alarm Back-up UPS1481 enclosure.

OnLine Power

1. Verify that the main input circuit breaker, battery circuit breaker, and output circuit breaker(s), if provided are in the "OFF" position. See illustration 1-2 for the locations of the circuit breakers. See under Section 2-5, Storage for accessing the inside of the unit.
2. Run the power wires up through the center area of the Fire Alarm Back-up UPS1481. Exercise care when working around the battery area.
3. Refer to Section 1-4 for various different installation configurations.
4. Connect the input wires to the input terminal block, TB1. Three (3) wires total: "hot", neutral (or Hot), and ground.
5. Connect the output wires to the output terminal block, TB2. Three (3) wires total: "hot", neutral (or Hot), and ground to the appropriate designate locations.
6. Connect the battery wires from external battery cabinet (if provided) to battery terminal block, TB3, three (3) wires total for (+), (-) and Ground.
7. This concludes the electrical connections. Do not apply power to the Fire Alarm Back-up UPS1481 at this time.

2-3-1 Remote Signaling Connections (AS400)

The Fire Alarm Back-up UPS1481 includes the feature of providing dry relay contacts for remote signaling capabilities. Signals available of remote annunciation are:

"UTILITY FAILURE" — This is a normally open contact which closes upon loss of input power to the Fire Alarm Back-up UPS1481 . **"LOW BATTERY"** — This is a normally open contact which closes when the Fire Alarm Back-up UPS1481 is on battery operation and the batteries are approaching complete discharge.

"ON INVERTER or ON BYPASS" — This is a normally open contact which closes when the Fire Alarm Back-up UPS1481 goes to battery operation.

"SUMMARY ALARM" — This is a normally open contact which closed when the Fire Alarm Back-up UPS1481 has any one of the alarm condition.

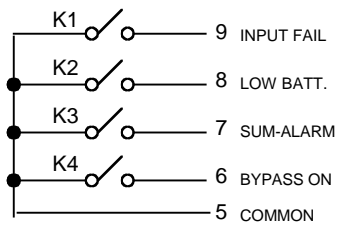
If there are no requirements for remote signaling, section 2-4-1 may be skipped.

1. The dry relay contacts for remote signaling are provided on connector (P5) of control board (A2) located on the right door inside of the Fire Alarm Back-up UPS1481. See illustration 1-2 for exact locations.
2. The dry relay contacts have the following maximum ratings:
200V (AC or DC) maximum
1.25 amperes maximum
30 watts /50 VA maximum, Power Factor 1.0PF
It is imperative that the relay contact ratings are not exceeded. Otherwise, damage to the relays within the Fire Alarm Back-up UPS1481 will occur.

OnLine Power

3. Determine which signals will be used. Connect wires (customer-supplied) to the connector.
4. This concludes the remote signaling connection procedures.
5. This concludes the installation procedures. Please proceed to Section 3-Start-Up for these necessary to start- up the Fire Alarm Back-up UPS1481.

AS400 CONNECTION DETAILS (J2)



2-3-2 RS232 Connection

Control PCB

J8 – connector / P8 IBM PC Serial Port
J2 – connector / P8 to 2 → to 2
J3 – connector / P8 to 3 → to 3
J5 – connector / P8 to 5 → to 5

Pin 1, 4, 6, 7, 9 no connection

Pin 2 : Receive
Pin 3 : Transmit
Pin 5 : GND

2-4 Storage

The Fire Alarm Back-up UPS1481 Series can be placed in storage while not in use. Provide a protected environment which meets the environmental parameters listed below.

- AMBIENT TEMPERATURE -22° to 158°F
 -30° to 70°C
- RELATIVE HUMIDITY 0% to 95% non-condensing

The Fire Alarm Back-up UPS1481 Series will be stored for several months or longer, it should be serviced by charging the batteries for 24 hours at regular, three-month intervals. While in storage, service the unit using the procedures in this section.

OnLine Power

During long-term storage, the batteries are subject to aging and deterioration. If after visual inspection, the batteries need to be replaced contact your OnLine Power dealer or the OnLine Power factory directly to obtain new batteries.

The UPS is stored in its original packaging, unpack UPS using unpacking procedures outlined in Section 2-3-1.

If the UPS is not connected to a source of power, first connect the UPS to an appropriate source of power using the procedures in Section 2-4, Electrical Connections.

When the UPS is unpacked and first connected to an AC power source, recharge batteries as follows:

1. Unlock and remove the front panel by pushing it up and out, pull both the side panel up and out.
2. Visually inspect batteries for signs of deterioration and leakage. Replace batteries if required.
3. Set AC power source to ON.
4. Close input CB, if provided (CB2)
5. Close battery CB, if provided (CB1)
6. The UPS automatically recharges batteries. The LCD panel will indicate the battery voltage and charging current.
7. Allow UPS to run for 24 hours to fully charge batteries.
 - When batteries have reached partial charge, the battery charging current will be under 1 Amps on LCD panel.
8. Turn OFF input power to the UPS.
9. Close and replace all the panels back.

SECTION 3 . OPERATION

3-1 Start-Up Procedures

1. Verify that the main input circuit breaker, battery breaker, and output circuit breaker(s), if provided, are in the “OFF” or “down” positions.

Refer to illustration 1-2 for the locations of the circuit breakers.

CAUTION CAUTION

It during the start- up procedures anything unusual occurs, immediately turn off the Input circuit breaker, and contact OnLine Power at (800) 797-7782 for technical assistance. If there are any questions or additional information Is required, please contact On-Line Power at (800) 797-7782 for technical assistance.

2. Apply input power to the Fire Alarm Back-up UPS1481 Series
 - Verify that the voltage appearing on the input terminal block is 120/240 VAC and is same as on nameplate. lithe voltage is not same as on nameplate approximately, do not proceed any further. Contact On-Line Power at (800) 797-7782 for technical assistance.
 - Verify that there are no voltages appearing on the output terminal block.
3. Turn on the main input circuit breaker, supplying power to the unit.
4. After turning on the System, wait one (1) minute while the Fire Alarm Back-up UPS1481 runs through its internal diagnostic routines.
 - Hear the sound of contactor closing.
 - See the fan(s) running.
 - See the LCD panel displaying correct messages. See Appendix D for LCD displays.
 - Verify that the LCD display panel indicates all correct parameters — see Appendix D for details.
 - Verify that the output voltage is 120/240 per the nameplate.
5. Close battery breaker in the UPS cabinet [and in battery cabinet(s), if provided.

OnLine Power

6. At this point in time, the Fire Alarm Back-up UPS1481 should be providing AC line power. The Fire Alarm Back-up UPS1481 is not operating in the normal mode, turn off the input circuit breaker. Contact OnLine Power at (800) 797-7782 for technical assistance.
 7. Recheck that the output voltage is 120/240 VAC.
 - If the output voltage is approximately same as nameplate, turn on the loads which will be powered from the Fire Alarm Back-up UPS1481 .
 8. The next steps verify battery operation and the inverter test switch.
 - To place the Fire Alarm Back-up UPS1481 in battery operation (to simulate loss of input power), press and hold yellow Inverter Test Switch. With switch in the hold position, the Fire Alarm Back-up UPS1481 should be running on its internal batteries.
 - Verify that the LCD panel displays such.
 - Verify that the “Battery Charger” is OFF in LCD panel.
- Note: Be sure to release the switch, after the test, so it will not deplete the batteries.
9. The Fire Alarm Back-up UPS1481 is now fully functional - providing clean, sine wave power to the load with battery back—up in case of an input power failure. This concludes the start-up procedures.

3-2 Operation

3-2-1 Turning On the Fire Alarm Back-up UPS1481 :

1. Apply input power.
2. With input power available, turn on the main input circuit breaker, CB2 (if provided).
3. Close battery breaker (CB1), only after the LCD display is lit & displays screens per Appendix D.
4. Wait till you hear the input contactor closing and fan running.
5. Verify that all parameters on LCD display panel are proper. See Appendix D for display details.
6. Close the output circuit breaker, CB2 (if provided).
7. Turn load breakers On.

OnLine Power

3-2-2 Turning off the Fire Alarm Back-up UPS1481 :

1. Turn off the Output Breaker(s), if provided.
2. Turn off the Battery Breaker.
3. Turn off the Input Breaker, if provided.

3-3 Theory of Operation

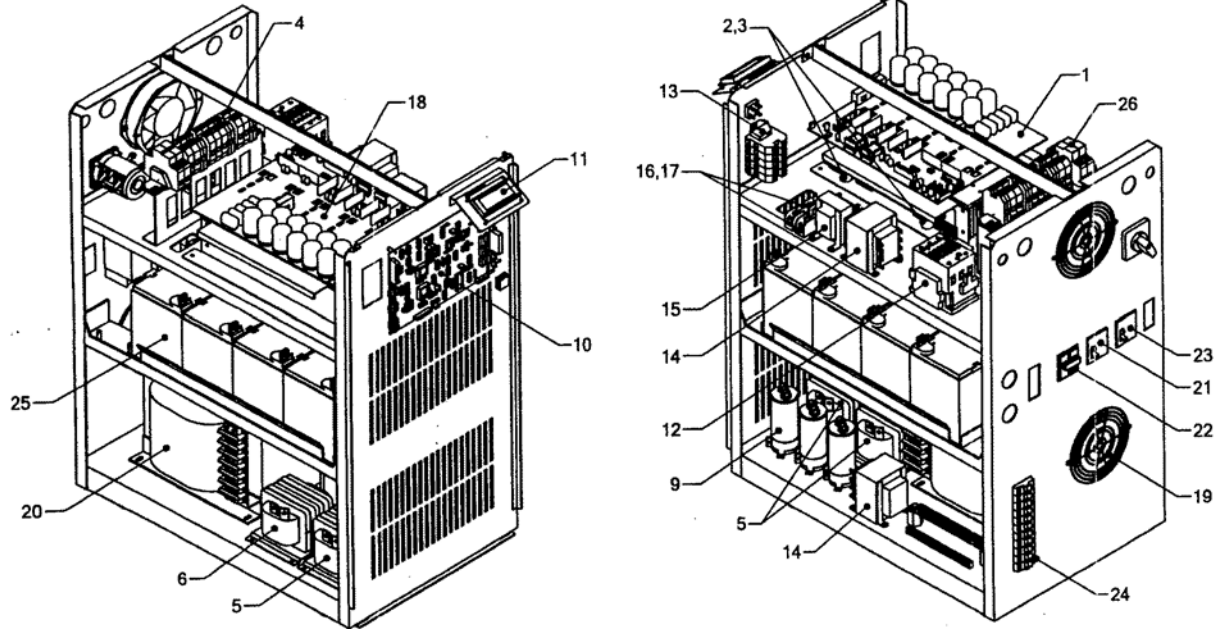
Illustration NO TAG is a simplified block diagram of the Fire Alarm Back-up UPS1481. This diagram provides an excellent tool in identifying the major building blocks within the Fire Alarm Back-up UPS1481 .

1. **External Main input circuit breaker (CB2)** — The main input circuit power provides overcurrent protection to the input side of the Fire Alarm Back-up UPS1481 .
2. **Input Contactor (KI)** — The microprocessor based control circuitry:
 - Verifies UPS to be normal condition and not the one 'at fault'.
 - Verifies correct input voltage and frequency to be within acceptable range and commands the closure of this. Contactor via control transformer T2 and fuse FI.
3. **Input Chokes (LI, U)** — They act as a filter and an important circuitry of an up chopper, boosting input voltage to a higher internal DC bus voltage.
4. **Battery charger** — The battery charger converts AC power into regulated DC power to charge and to maintain the charge on the battery bank. The charger is fully automatic with a current limiting feature so that damage will not occur to the batteries in case of a charger malfunction. The charger is sized such that the batteries will be maintained at full charge even when the input voltage is at the low line limit for indefinite periods of time.
5. **Battery** — The battery bank, consisting of eight (8), ten (10), sixteen (16), or twenty (20), 12 volt, VRLA batteries, provides the reserve energy to power the load when suitable AC input power is not present. The batteries are sealed, maintenance—free construction.
6. **Inverter** — When the AC input power is not available to power the load, the inverter converts the energy stored in the battery bank to AC power to supply the powers the load. The pulse width modulated (PWM) inverter utilizes high speed, high efficiency IGBT5 for fast response, sinusoidal power.
7. **DC Choke (U)** — If helps boosting battery voltage to an internal higher DC bus voltage.
8. **Output AC Choke (L4)** — This acts as a buck circuit component connecting high DC bus voltage to an appropriate AC output voltage.

OnLine Power

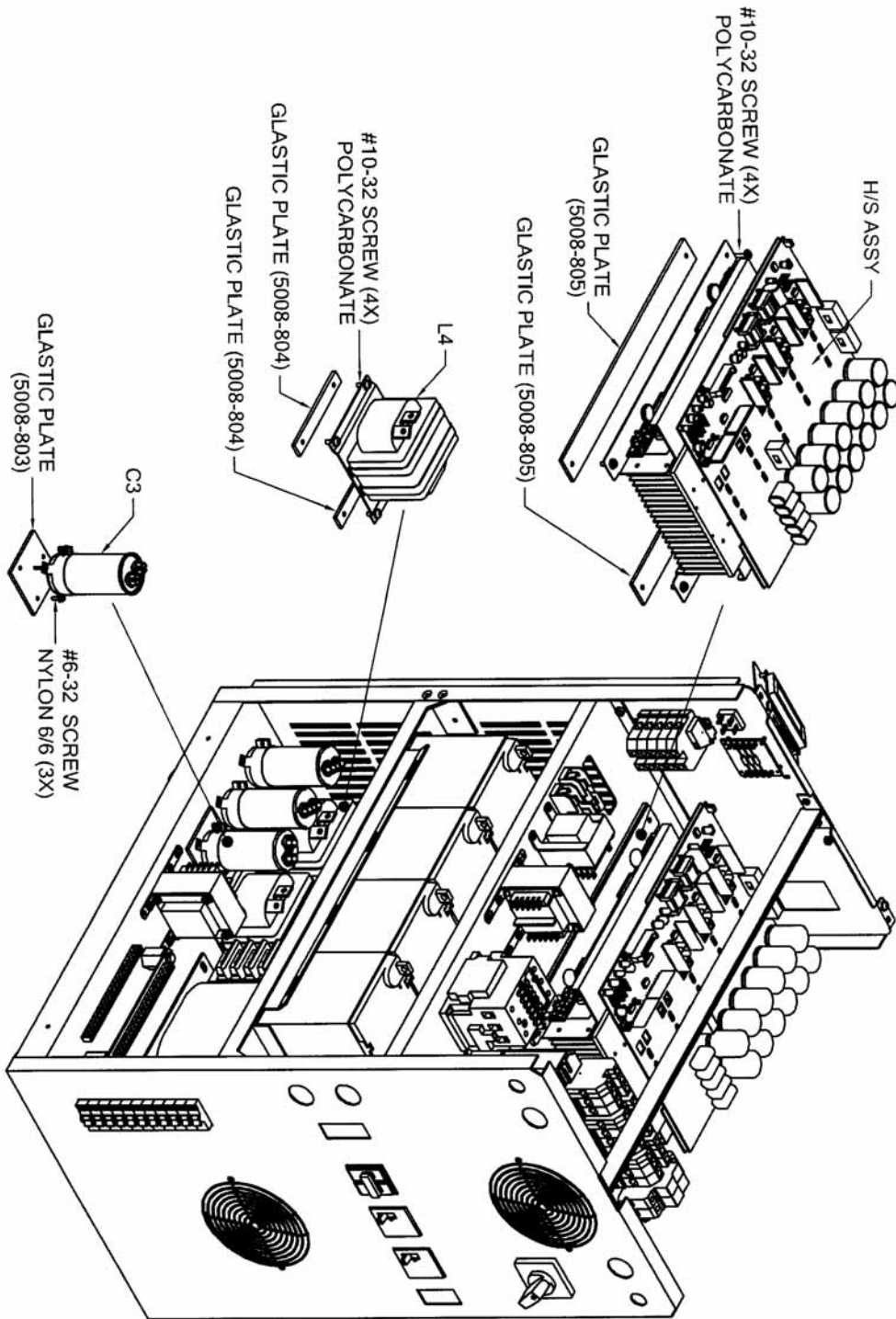
9. **Optional Output Isolation Transformer (T1)** — The transformer performs a number of critical functions. First, it provides excellent common mode and normal mode noise isolation of the load from the input or inverter power. Secondly, it provides voltage transformation and tight regulation of the output voltage while the Fire Alarm Back-up UPS1481 is operating from its internal inverter or directly from utility via bypass circuitry.
10. **Inverter Test Switch (SW2)** — This switch is a manually operated switch which tests the Fire Alarm Back-up UPS1481 and the batteries for proper operation. When the Fire Alarm Back-up UPS1481 is running and Switch SW2 is pushed and held in, the Fire Alarm Back-up UPS1481 will automatically transfer to battery operation. The Fire Alarm Back-up UPS1481 will continue to run on batteries until the switch is released back to the “normal” position (Switch is a momentary switch). When the switch is released, the Fire Alarm Back-up UPS1481 returns to normal operation (provided input power is present).
11. **Control Transformer (T2)** — This transformer with fuse (F1), provides (internal housekeeping) power supply as well as 120 VAC for the coil of the input contactor. The primary of this transformer has various taps that needs to be matched with the various input voltages.
12. **Fan Transformer (T3)** — This transformer with fuse (F2) provides 120 VAC to the fan(s) for various output voltages that are matched at its primary taps.

3-4 COMPONENT'S LOCATION & LIST



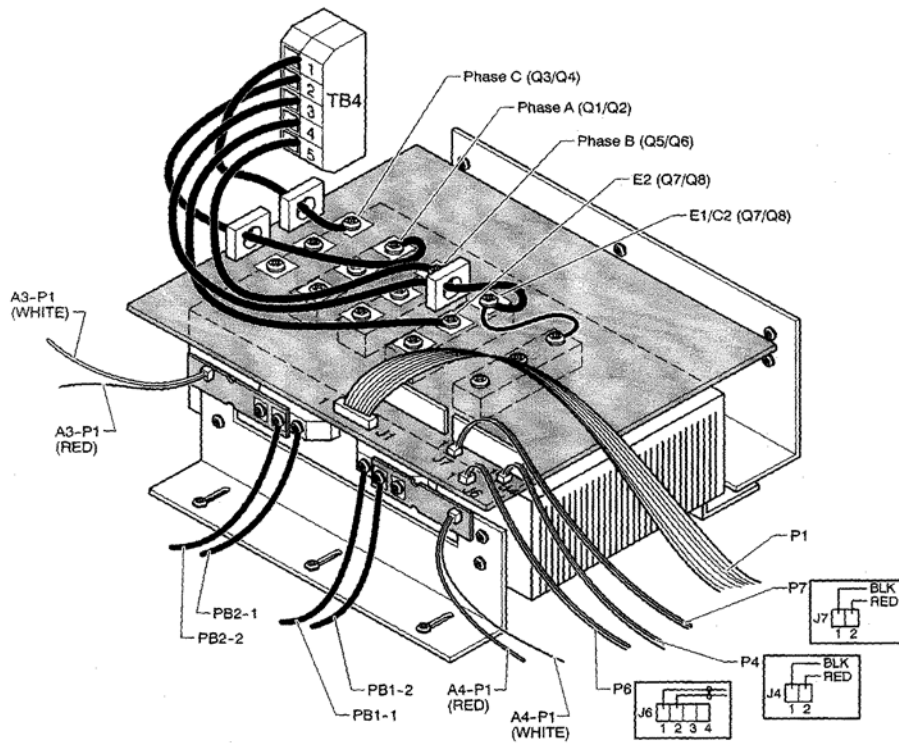
COMPONENT'S TABLE

| ITEM | QTY | DESCRIPTION | DESIG. | OLP PART NUMBER |
|------|---------------|--|---------------|----------------------------|
| 1 | 1 | Power Board | A1 | 1625-287-01 |
| 2 | 1 | Bypass Static Switch | PB1 | 1690-002 |
| 3 | 1 | Output Static Switch | PB2 | 1690-002 |
| 4 | 1 | Input/Output/Battery Terminal Block for customer's use | TB1, TB2, TB3 | 4025-210 |
| 5 | 1 | Input Choke / output choke | L1, L2, L3 | 1450-1470-03 |
| 6 | 1 | DC choke | L4 | 1450-1472-03 |
| | | | | |
| 9 | 1 | The Frequency Noise Filter Capacitors for Input Power | C1, C2, C3 | 1525-206 |
| 10 | 1 | Control Board | A2 | 1625-288-01 |
| 11 | 1 | LCD Display Board | A5 | 1690-164 |
| 12 | 1 | Input Contactor | K1 | 1690-242/ -093/ -139/ -187 |
| 13 | 1 | Terminal Block to remove heat sink assembly | TB4 | 4025-211 |
| 14 | 1 | Fan Transformer | T3 | 1400-110 |
| 15 | 1 | Control Power Transformer | T2 | 1400-105 |
| 16 | 1 | Control Transformer Fuse | F1 | 2075-024 |
| 17 | 1 | Fan Fuse | F2 | 2075-065 |
| 18 | 1 | Heat Sink Assembly | HS1 | 9100-1338-01 THRU -04 |
| 19 | 1 | Fan(s) | B1, B2 | 1000-036 |
| 20 | 1 | Optional Output Isolation Transformer | T1 | 1450-1473-06 |
| 21 | 1 | Input Breaker | CB2 | OPTIONAL, SEE NAMEPLATE |
| 22 | 1 | Battery Breaker | CB1 | 2025-XXX, CONSULT FACTORY |
| 23 | 1 | Output Breaker | CB3 | OPTIONAL, SEE NAMEPLATE |
| 24 | 1 + | Output Distribution Breakers | CB4 and UP | OPTIONAL, SEE NAMEPLATE |
| 25 | 8, 10, 16, 20 | Maintenance Free Lead Acid Battery(s) | B1 and UP | SEE THE NAME-PLATE |
| 26 | (| TVSS | TVSS | |



OnLine Power

3-4 ITEM 18 (CONTINUED)



HEAT SINK ASSEMBLY
ILLUSTRATION 3-2

OnLine Power

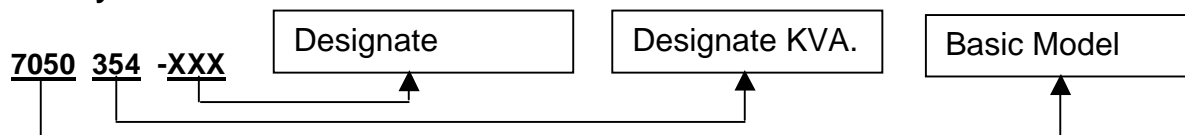
APPENDIX A: EXTENDED BATTERY RUN CHART

| Battery kitPart# | 7050-354 | 7050-355 | 7050-356 | 7050-357 | 7050-358 | 7050-359 | 7050-360 | 7050-361 | 7050-362- | 7050-363- | 7050-364- | 7050-365- |
|------------------|------------|------------|------------|------------|------------|------------|-------------|-------------|-----------|-----------|-----------|-------------|
| LoadKV A | 0.5 | 0.75 | 1.0 | 1.5 | 2.0 | 3.0 | 4.0 | 5.0 | 7.5 | 10.0 | 12.5 | 15.0 |
| Minutes | -015 | -015 | -015 | -015 | -015 | -015 | 015 | -015 | -015 | -015 | -015 | -015 |
| Batt.AH | 8x25 | 8x25 | 8x25 | 8x25 | 8x25 | 8x35 | 10x35 | 10x35 | 10x50 | 16x50 | 16x65 | 20X50 |
| Cabinet | A | A | A | A | A | A | A | A | A+B | A+B | A+B | A+C |
| | | | | | | | | | orA+A | | | |
| Minutes | -030 | -030 | -030 | -030 | -030 | -030 | -030 | -030 | -030 | -030 | -030 | -030 |
| Batt.A.H | 8X25 | 8X25 | 8X25 | 8X35 | 8X35 | 8X50 | 10X50 | 10x65 | 10x120 | 16x90 | 16x120 | 20x120 |
| Cabinet | A | A | A | A | A | A+B | A+B | A+B | A+B | A+C | A+B | A+C |
| | | | | | | orA+A | orA+A | orA+A | | | | |
| Minutes | -060 | -060 | -060 | -060 | -060 | -060 | -060 | -060 | -060 | -060 | -060 | -060 |
| Batt.A.H | 8X25 | 8X25 | 8X35 | 8X50 | 8X50 | 8x90 | 10x90 | 10x120 | 20x90 | 32x65 | 32x90 | 40x90 |
| Cabinet | A | A | A | A+B | A+B | A+B | A+B | A+B | A+C | A+B+C | A+B+C | A+2C |
| | | | | orA+A | orA+A | orA+A | | | | | | |
| Minutes | -120 | -120 | -120 | -120 | -120 | -120 | -120 | -120 | -120 | -120 | -120 | -120 |
| Batt.A.H | 8X35 | 8x50 | 8x50 | 8x90 | 8x100 | 16x90 | 20x90 | 20x90 | 30x90 | 40x120 | 60x90 | 60x90 |
| Cabinet | A | A+B | A+B | A+B | A+B | A+C | A+C | A+C | A+B+C | A+2C | A+B+2C | A+B+2C |
| | | orA+A | orA+A | orA+A | orA+A | | | | | | | |
| Minutes | -240 | -240 | -240 | -240 | -240 | -240 | -240 | -240 | -240 | -240 | -240 | N/A |
| Batt.A.H | 8x50 | 8x90 | 8x100 | 8x120 | 16x90 | 20x120 | 20x120 | 30x120 | 30x120 | 60x120 | 80x120 | |
| Cabinet | A+B | A+B | A+B | A+B | A+C | A+C | A+C | A+B+C | A+B+C | A+2C+B | A+B+2C | |
| | | orA+A | orA+A | orA+A | orA+A | | | | | | | |
| Minutes | -480 | -480 | -480 | -480 | -480 | -480 | -480 | -480 | -480 | -480 | N/A | N/A |
| Batt.A.H | 16X65 | 16X90 | 16x90 | 16x120 | 24x120 | 40x120 | 40x120 | 50x120 | 100x90 | 100x120 | | |
| Cabinet | A+B | A+C | A+C | A+C | A+C | A+2C | A+2C | A+2C | A+4C | A+4C | | |
| | | | | | | | | | | | | |
| Minutes | -1440 | 1440 | 1440 | 1440 | 1440 | 1440 | 1440 | 1440 | N/A | N/A | N/A | N/A |
| Batt.A.H | 24X 120 | 24X 120 | 32X 100 | 40X 120 | 50X 120 | 80X 120 | 100X 120 | 100X 150 | | | | |
| Cabinet | A+C | A+C | A+C | A+C | A+2C | A+3C+B | A+4C | A+4C | | | | |

Note: 0.5 KVA-3KVA: Load only change using same 3KW unit.
4-5KW: Load only change using 5KW unit.

TABLE 4-10

Battery Part Number Nomenclature.



Cabinet Types: **A**=Internal batteries located on the bottom shelf of smal cabinet. **B**=48" Tall,one cabinet.
C=68" Tall,one cabinet **NB**=48" Tall,N number of cabinets **NC**=68" Tall, number of cabinets.

*UL LISTING WAS PERFORMED ONLY FOR 15 MINUTES RUN TIME.

OnLine Power

OTHERS ARE CALCULATED VALUES BASED ON THE BATTERY MANUFACTURER'S DATA FOR BACK UP TIME.

APPENDIX B – Optional Main Input & Main Output Breakers for various models (*All Values are typical as reference only)

| TABLE B-1: External Output Breaker (Standard KAIC) | | | | |
|---|---|--|--|--|
| KVA | Output Voltages | | | |
| | 120 Vac | | 240 /120 VAC | |
| 3 | 40 Amps, 120 VAC, 1 Pole, 14 KAIC OLP P/N: 2025-783 | | 20 Amps, 240 VAC, 2 Pole, 10 KAIC OLP P/N: 2025-788 | |
| 5 | 70 Amps, 120 VAC, 1 Pole, 14 KAIC OLP P/N: 2025-997 | | 40 Amps, 240 VAC, 2 Pole, 10 KAIC OLP P/N: 2025-791 | |
| 7.5 | 100 Amps, 120 VAC, 2 Pole, 10 KAIC OLP P/N: 2025-999 | | 50 Amps, 240 VAC, 2 Pole, 10 KAIC OLP P/N: 2025-792 | |
| 10 | 125 Amps, 120 VAC, 2 Pole, 10 KAIC OLP P/N: 2025-759 | | 70 Amps, 240 VAC, 2 Pole, 10 KAIC OLP P/N: 2025-794 | |
| 12.5 | 1750 Amps, 120 VAC, 2 Pole, 10 KAIC OLP P/N: 2025-468 | | 80 Amps, 240 VAC, 2 Pole, 10 KAIC OLP P/N: 2025-795 | |
| 15 | 200 Amps, 120 VAC, 2 Pole, 65 KAIC OLP P/N: 2025-541 | | 100 Amps, 240 VAC, 2 Pole, 10 KAIC OLP P/N: 2025-797 | |

| TABLE B-2: Output Breaker (High KAIC) | | | | |
|--|---|--|--|--|
| KVA | Output Voltages | | | |
| | 120 Vac | | 240 Vac | |
| 3 | 40 Amps, 120 VAC, 1 Pole, 42 KAIC OLP P/N: 2025-799 | | 20 Amps, 240 VAC, 2 Pole, 65 KAIC OLP P/N: 2025-762 | |
| 5 | 70 Amps, 120 VAC, 1 Pole, 42 KAIC OLP P/N: 2025-998 | | 40 Amps, 240 VAC, 2 Pole, 65 KAIC OLP P/N: 2025-766 | |
| 7.5 | 100 Amps, 120 VAC, 2 Pole, 42 KAIC OLP P/N: 2025-803 | | 50 Amps, 240 VAC, 2 Pole, 65 KAIC OLP P/N: 2025-767 | |
| 10 | 125 Amps, 120 VAC, 2 Pole, 65 KAIC OLP P/N: 2025-759 | | 70 Amps, 240 VAC, 2 Pole, 65 KAIC OLP P/N: 2025-769 | |
| 12.5 | 1750 Amps, 120 VAC, 2 Pole, 65 KAIC OLP P/N: 2025-468 | | 80 Amps, 240 VAC, 2 Pole, 65 KAIC OLP P/N: 2025-770 | |
| 15 | 200 Amps, 120 VAC, 2 Pole, 65 KAIC OLP P/N: 2025-541 | | 100 Amps, 240 VAC, 2 Pole, 65 KAIC OLP P/N: 2025-894 | |

INPUT CIRCUIT BREAKER

| TABLE B-3: Input Breaker Ampacity (Standard KAIC) | | | | |
|--|---|--|--|--|
| KVA | Input Voltages | | | |
| | 120 Vac | | 240 V/ or 208V | |
| 3 | 50 Amps, 120 VAC, 1 Pole, 14 KAIC OLP P/N: 2025-784 | | 30 Amps, 240 VAC, 2 Pole, 14 KAIC OLP P/N: 2025-790 | |
| 5 | 70 Amps, 120 VAC, 1 Pole, 14 KAIC OLP P/N: 2025-997 | | 40 Amps, 240 VAC, 2 Pole, 10 KAIC OLP P/N: 2025-791 | |
| 7.5 | N/A | | 60 Amps, 240 VAC, 2 Pole, 10 KAIC OLP P/N: 2025-793 | |
| 10 | N/A | | 70 Amps, 240 VAC, 2 Pole, 10 KAIC OLP P/N: 2025-794 | |
| 12.5 | N/A | | 90 Amps, 240 VAC, 2 Pole, 10 KAIC OLP P/N: 2025-796 | |
| 15 | N/A | | 125 Amps, 240 VAC, 2 Pole, 65 KAIC OLP P/N: 2025-759 | |

| TABLE B-4: Input Breaker Ampacity (HIGH KAIC) | | | | |
|--|---|--|--|--|
| KVA | Input Voltages | | | |
| | 120 Vac | | 240 Vac or 208VAC | |
| 3 | 50 Amps, 120 VAC, 1 Pole, 42 KAIC OLP P/N: 2025-800 | | 30 Amps, 240 VAC, 2 Pole, 65 KAIC OLP P/N: 2025-764 | |
| 5 | 70 Amps, 120 VAC, 1 Pole, 42 KAIC OLP P/N: 2025-998 | | 40 Amps, 240 VAC, 2 Pole, 65 KAIC OLP P/N: 2025-766 | |
| 7.5 | N/A | | 60 Amps, 240 VAC, 2 Pole, 65 KAIC OLP P/N: 2025-768 | |
| 10 | N/A | | 70 Amps, 240 VAC, 2 Pole, 65 KAIC OLP P/N: 2025-769 | |
| 12.5 | N/A | | 90 Amps, 240 VAC, 2 Pole, 65 KAIC OLP P/N: 2025-771 | |
| 15 | N/A | | 125 Amps, 240 VAC, 2 Pole, 65 KAIC OLP P/N: 2025-759 | |

OnLine Power

APPENDIX C: LCD DISPLAY MENU & TROUBLESHOOTING GUIDE

Two screens (A, B) are updated continuously for units without optional output transformer.

Three screens (A, B, C) are updated continuously for units with optional output transformer.

Start-up Screen

When input power is applied for the unit, LCD panel lights up and displays



If LCD display panel is not lit, unit has a problem. Contact factory service at 1-800-PWR-SRVC at OnLine Power.

SCREEN A: The screen appears as below.

| | | | | |
|--------|-------------|---|------|----|
| Line 1 | UPS NORMAL | @ | 7 | KW |
| Line 2 | INPUT OK | @ | CHRG | ON |
| Line 3 | BATTERY OK | @ | DC | OK |
| Line 4 | ON INVERTER | @ | OUT | OK |

It may show

1. UPS

NORMAL @ 7KW

7KW indicates the KW rating of the unit

— **STANDBY** is shown for testing or startup

— **NORMAL** indicating normal UPS operation

— **PROBLEM** UPS having problem

— Try to reset the unit by shutting off and restarting, or else contact factory

— **FAILURE** indicates UPS failed or had alarm condition

— Reset unit as above. Shut it off till LCD is shut-off. Restart unit, or else contact the factory

OnLine Power

SCREEN B: The screen appears as below.

| | | | | |
|--------|------------------|---|---------|---|
| Line 1 | OUTPUT: _____ V | @ | _____ | W |
| Line 2 | INPUT : _____ V | @ | _____ | A |
| Line 3 | DC BUSS: _____ V | @ | NA | A |
| Line 4 | BATT: _____ V | @ | + _____ | A |

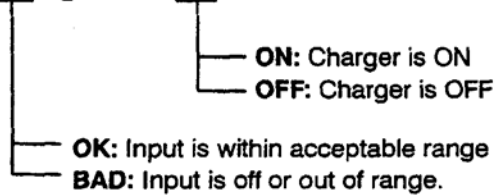
4. Indicates output voltage and power in watts, when output transformer is not used. It indicates primary voltage of the output transformer (T1) (120 VAC, typically) when T1 is used.
5. Indicates input volts and Amps.
6. Indicates internal DC buss condition for factory use.
7. Indicates battery voltage. The (+) current in Amps indicates charging Amps, while (-) indicates discharging Amps.

SCREEN C: When optional output transformer is used, various output voltages are indicated as such.

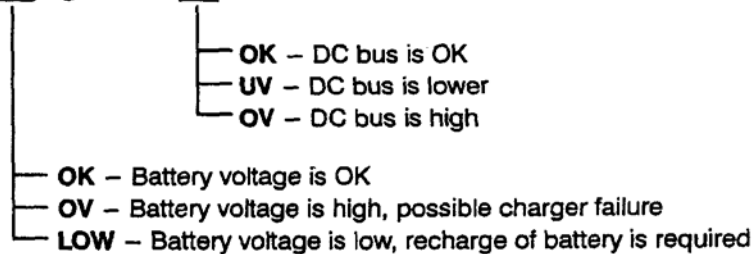
| | | |
|--------|----------------|-------|
| Line 1 | OUTPUT VOLTAGE | 120 V |
| Line 2 | OUTPUT VOLTAGE | N/A |
| Line 3 | OUTPUT VOLTAGE | 240 V |
| Line 4 | OUTPUT VOLTAGE | N/A |

OnLine Power

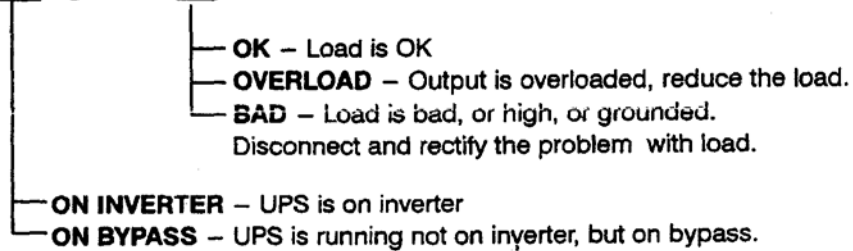
2. INPUT OK @ CHG ON



3. BATTERY OK @ DC OK



4. ON INVERTER @ OUT OK



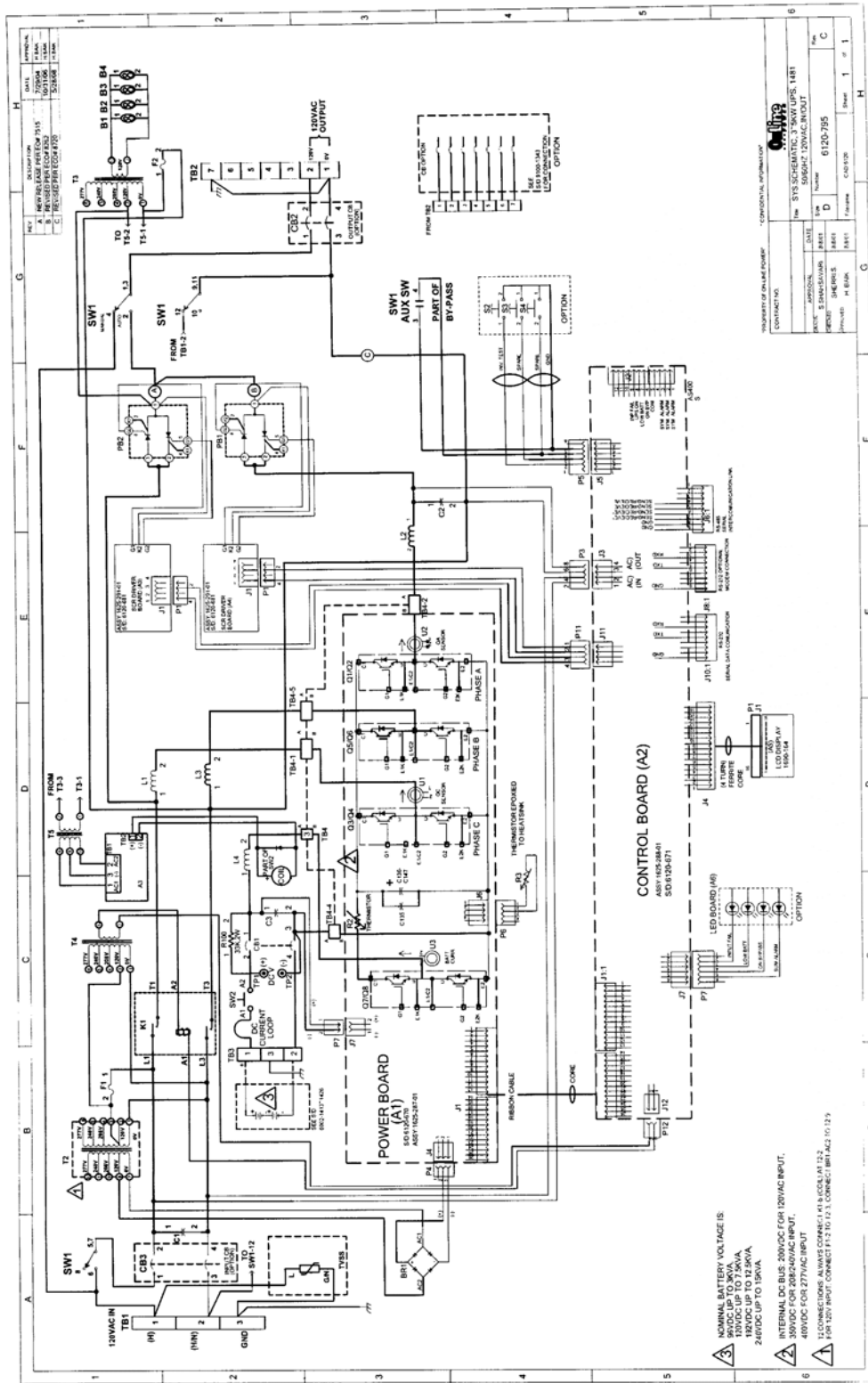
APPENDIX D: SPECIFICATION

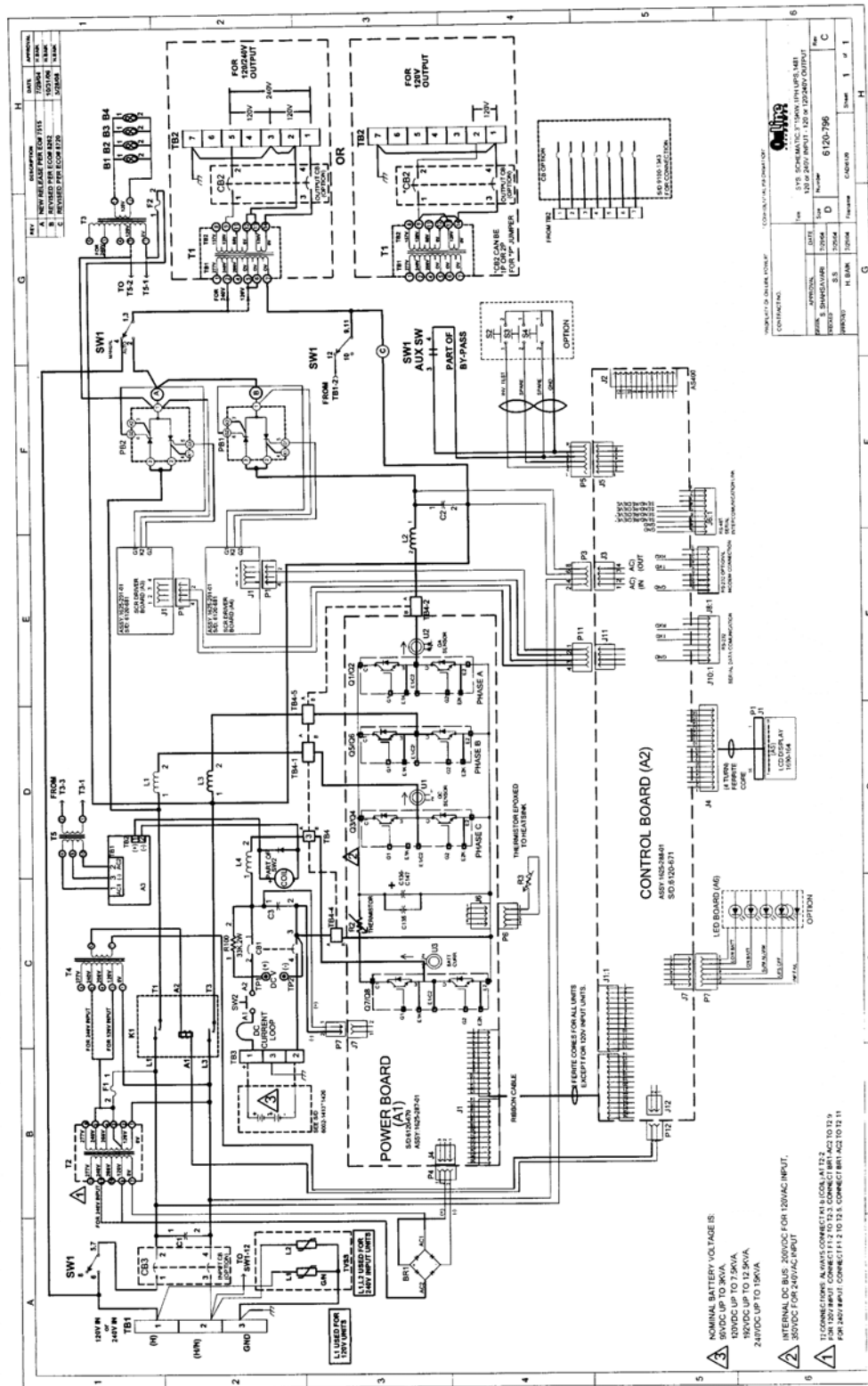
| POWER RATING (KW) | 3.0 | 5.0 | 7.5 | 10 | 12.5 | 15 | |
|--------------------------|---|-------------|--------------------------|-----------|-------------|-----------|--|
| VOLTAGE (VAC) INPUT | Single Phase, 120/208/240 | | Single Phase, 240/208VAC | | | | |
| MAXIMUM CURRENT | 40/19/16 | 58/30/28 | 41/36 | 58/50 | 69/60 | 83/72 | |
| TOLERANCE | +10% to -15% | | | | | | |
| FREQUENCY (Hz) | 60 +/- 3% | | | | | | |
| POWER FACTOR | 0.98 to 1.0 (Typical) | | | | | | |
| OVERCURRENT PROTECTION | Electronic / Circuit Breaker | | | | | | |
| NUMBER OF WIRES | 2 Wires plus Ground | | | | | | |
| POWER CONNECTION | Hard Wired (Terminal Block) | | | | | | |
| OUTPUT | | | | | | | |
| RATING (KVA/KW) | 3.0 | 5.0 | 7.5 | 10 | 12.5 | 15 | |
| VOLTAGE (VAC) | 120/120/240 | 120/120/240 | 120/240 | 120/240 | 120/240 | 120/240 | |
| VOLTAGE REGULATION | +/-3% No Load to Full Load; +/-3% High Line to Low Line | | | | | | |
| FREQUENCY (Hz) | 60 Hz +/-0.25 Hz (When on Inverter) | | | | | | |
| WAVESHAPE | Sine Wave | | | | | | |
| HARMONIC DISTORTION | <5% THD; <3% Single Harmonic | | | | | | |
| CREST FACTOR | Up to 3 to 1 | | | | | | |
| POWER FACTOR | 1.0PF | | | | | | |
| STEADY-STATE CURRENT | 25/12.5 | 42/20.8 | 62.5/31.3 | 83.3/41.7 | 104/52 | 125/62.5 | |
| OVERLOAD | 125 % for One (1) minutes, surge 150 % | | | | | | |
| PROTECTION | Electronic / Circuit Breaker | | | | | | |
| NOISE REJECTION | -120 kB Common Mode; -60 kB Normal Mode | | | | | | |
| NUMBER OF WIRES | 2 Wires plus Ground | | | | | | |
| POWER CONNECTION | Hard Wired (Terminal Block) | | | | | | |

OnLine Power

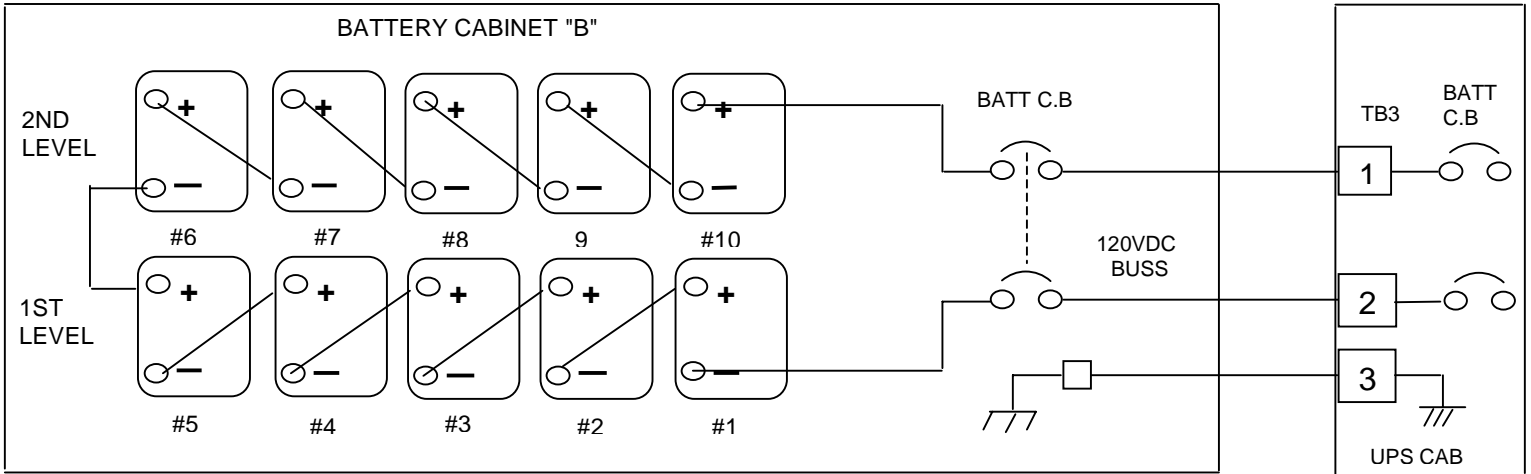
| POWER RATING (KVA/KW) | 3.0 | 5.0 | 7.5 | 10 | 12.5 | 15 |
|--------------------------------------|--|------------|------------|-----------|-------------|------------|
| BATTERY | | | | | | |
| BATTERY RUN TIME | See Appendix C for various Run time | | | | | |
| BATTERY TYPE | Sealed, Maintenance-Free, AGM, VRLA type | | | | | |
| NOMINAL DC VOLTAGE | 96 VDC | 120 VDC | 120 VDC | 192 VDC | 192 VDC | 240 VDC |
| OVERCURRENT PROTECTION | Circuit Breaker | | | | | |
| PACKAGING | Batteries Housed in Same Enclosure and/or additional battery cabinet (See Table 2-1) | | | | | |
| MONITORING AND COMMUNICATIONS | | | | | | |
| LCD SCREEN | Input Voltage, Batt. Charger, UPS Output; On Batt.; Low Batt.; Summary Alarm | | | | | |
| INDICATORS | LCD Display Panel | | | | | |
| RELAY INTERFACE | Dry Contacts for: UPS On (N.C.); On Inverter (N.O.); Loss of Input Power (N.O.); Low Battery (N.O.) | | | | | |
| CONTACT RATING | 125 Volts (AC or DC) Maximum; 1.25 Amperes Maximum; 30 Watts / 50 VA Maximum | | | | | |
| INTERFACE CONNECTION | Hard Wired (Terminal Block) | | | | | |
| ENVIRONMENTAL | | | | | | |
| USRGE WITHSTANDABILITY | ANSI C62.41-1980 Categories A & B | | | | | |
| OPERATING TEMPERATURE | Meets NEMA Requirements | | | | | |
| OPERATING RELATIVE HUMIDITY | 0 to 95% Non-Condensing | | | | | |
| ALTITUDE | Up to 6,000 Feet (1,829 Meters) with No De-Rating | | | | | |
| COOLING | Air Cooled-Forced Fan | | | | | |
| PHYSICAL | | | | | | |
| SIZE WxHxD in. (cm) | 18 x 35 x 32 (45.7 x 88.9 x 84.3 cm) | | | | | |
| WEIGHT lbs (kg) with batteries | 600(273) | 900(409) | 1150(523) | 1600(727) | 1850(841) | 2250(1023) |
| CONSTRUCTION | Painted Steel Enclosure with 3 Point Double Locking Front Door; and Full-Length Door Hinge. | | | | | |
| ENCLOSURE | Designed for Inside Installations | | | | | |
| COLOR | Natural finish | | | | | |
| ACCESSIBILITY | Front - All Servicing is Through the Front; No Side or Rear Access is Required. | | | | | |
| CABLE ENTRY | Bottom or sides | | | | | |
| MOUNTING | Four (4) Holes Provided to Anchor Enclosure to Pedestal (Supplied by Others) | | | | | |

OnLine Power

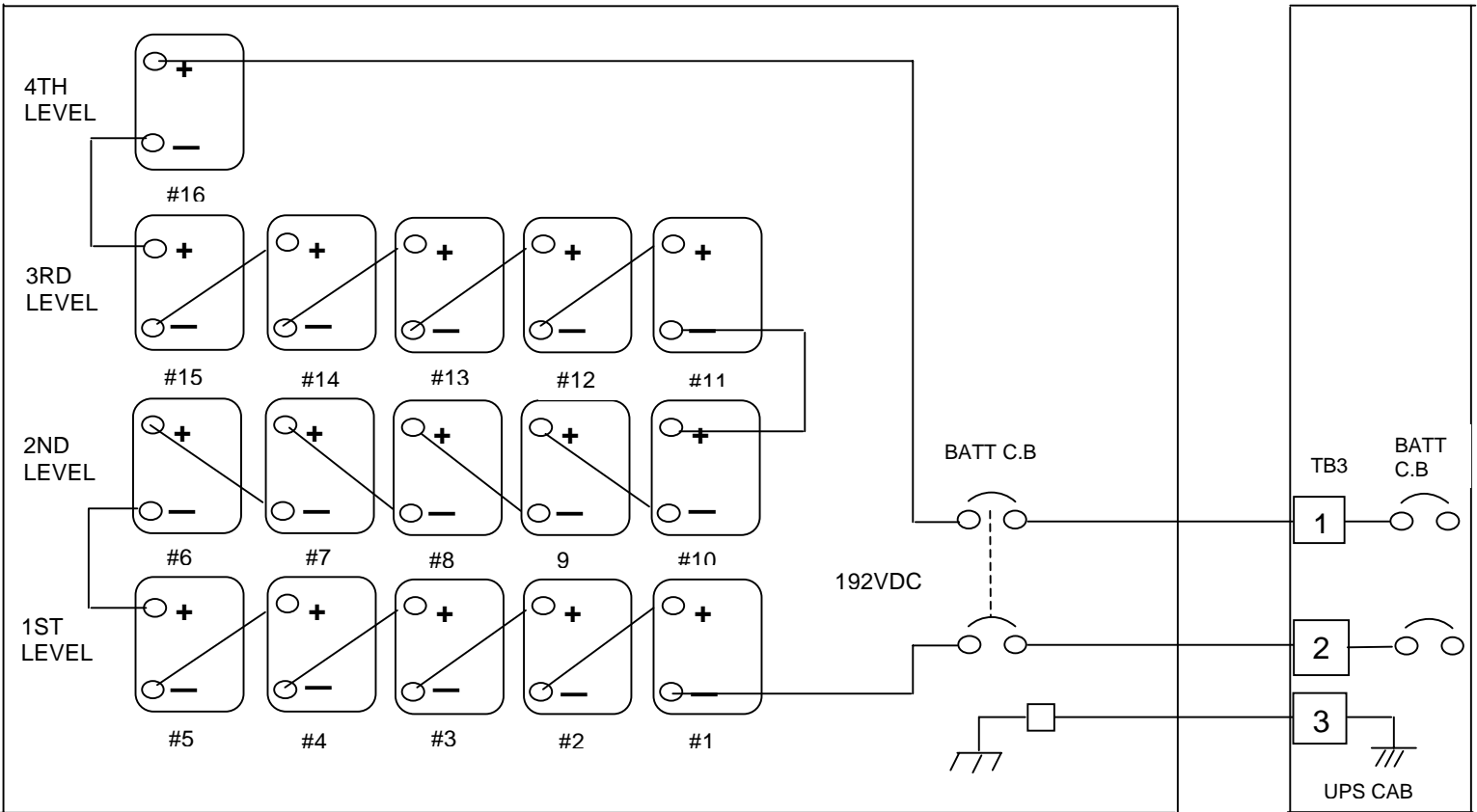




OnLine Power

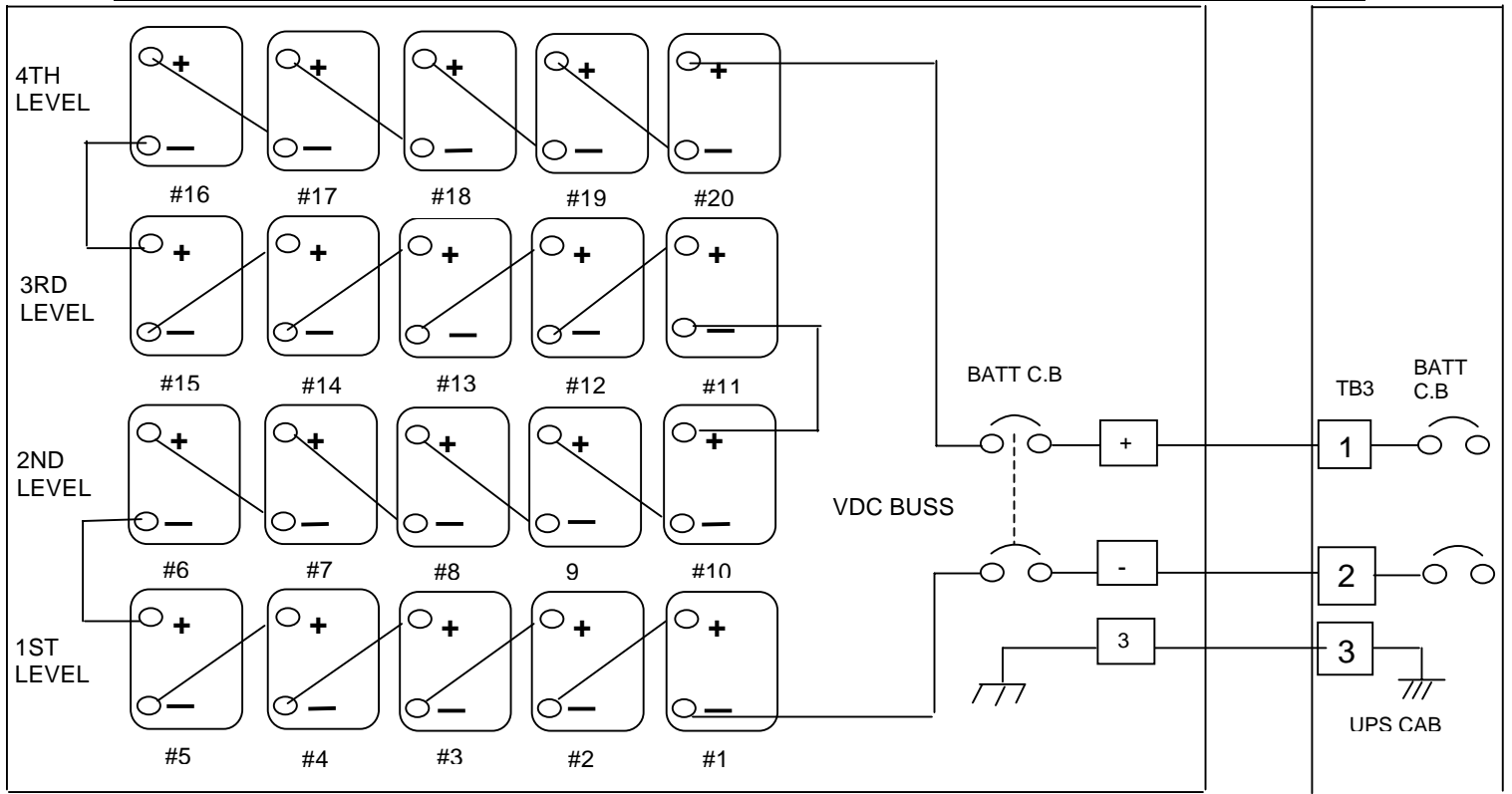


"B" CABINET BATTERY (QTY:10) SYSTEM

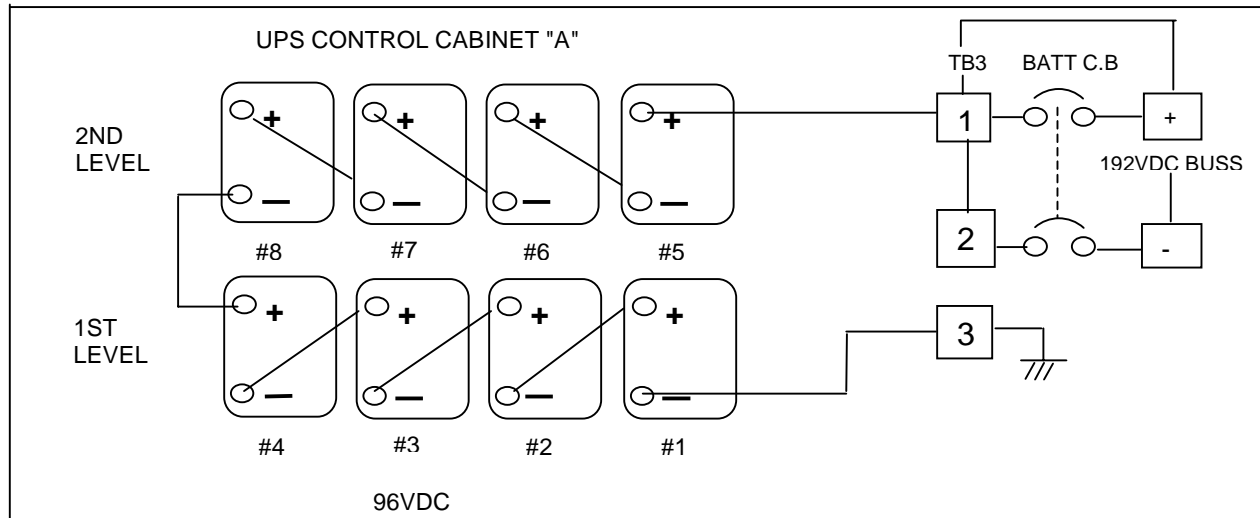


"B" OR "C" BATTERY (QTY 16) SYSTEM

OnLine Power

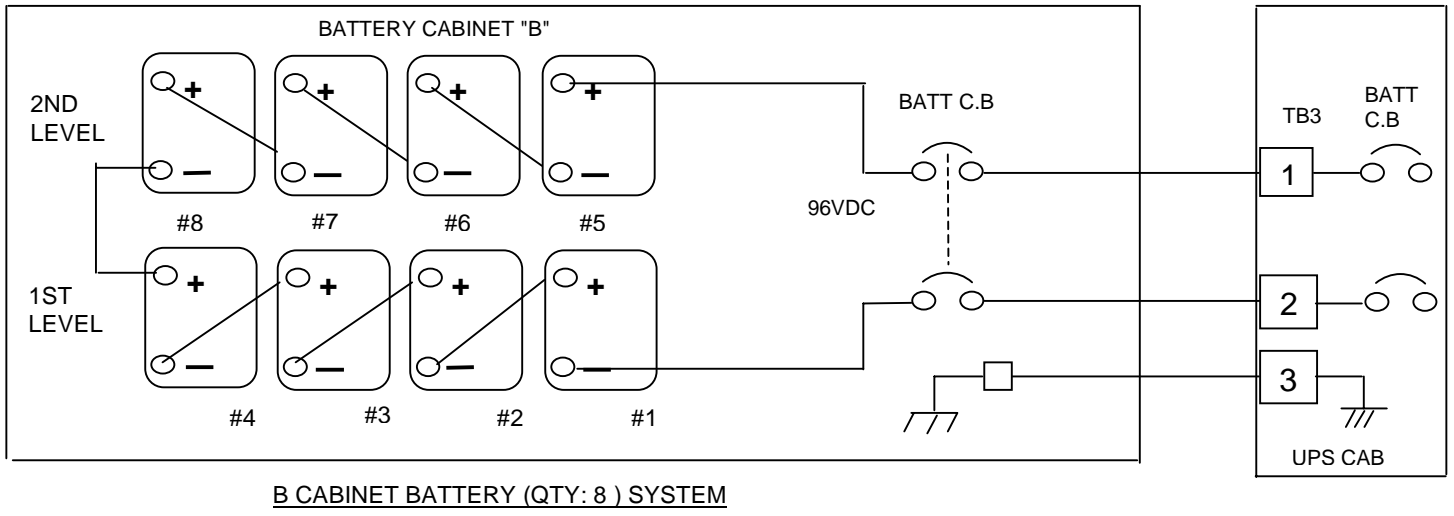


"C" CABINET BATTERY (QTY:20) SYSTEM

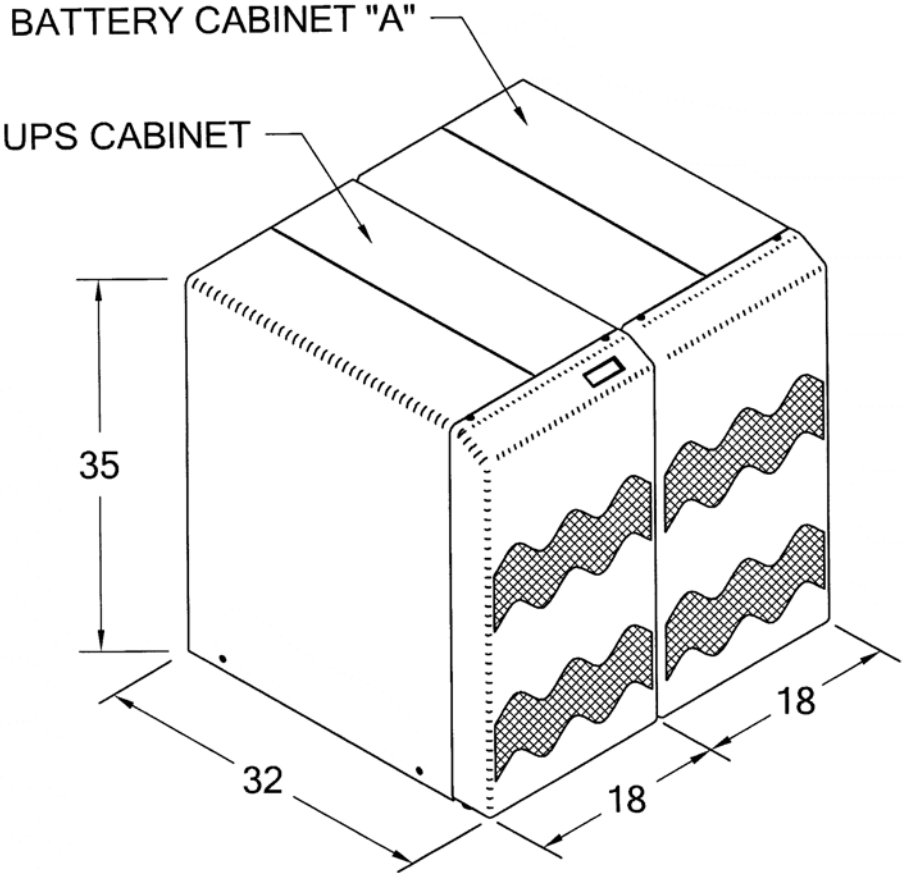


3KW/5KW (8X35AH) BATTERY SYSTEM ONLY

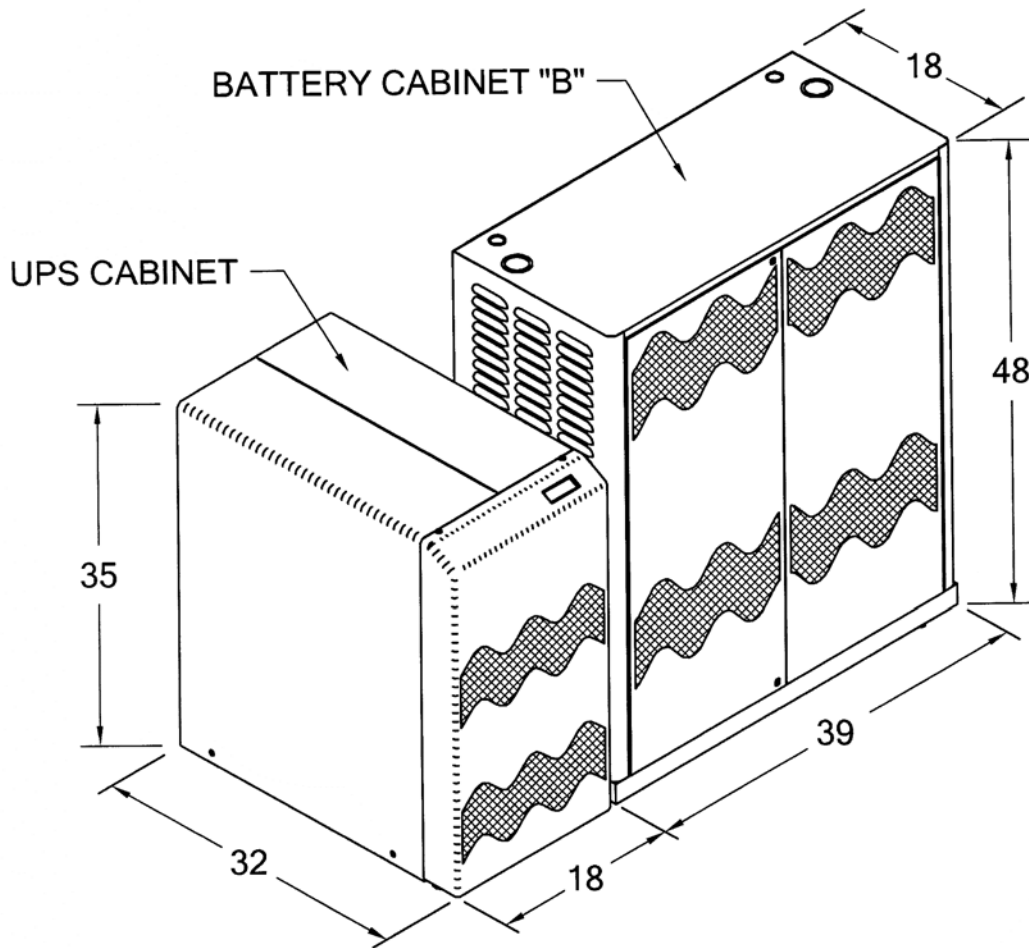
OnLine Power



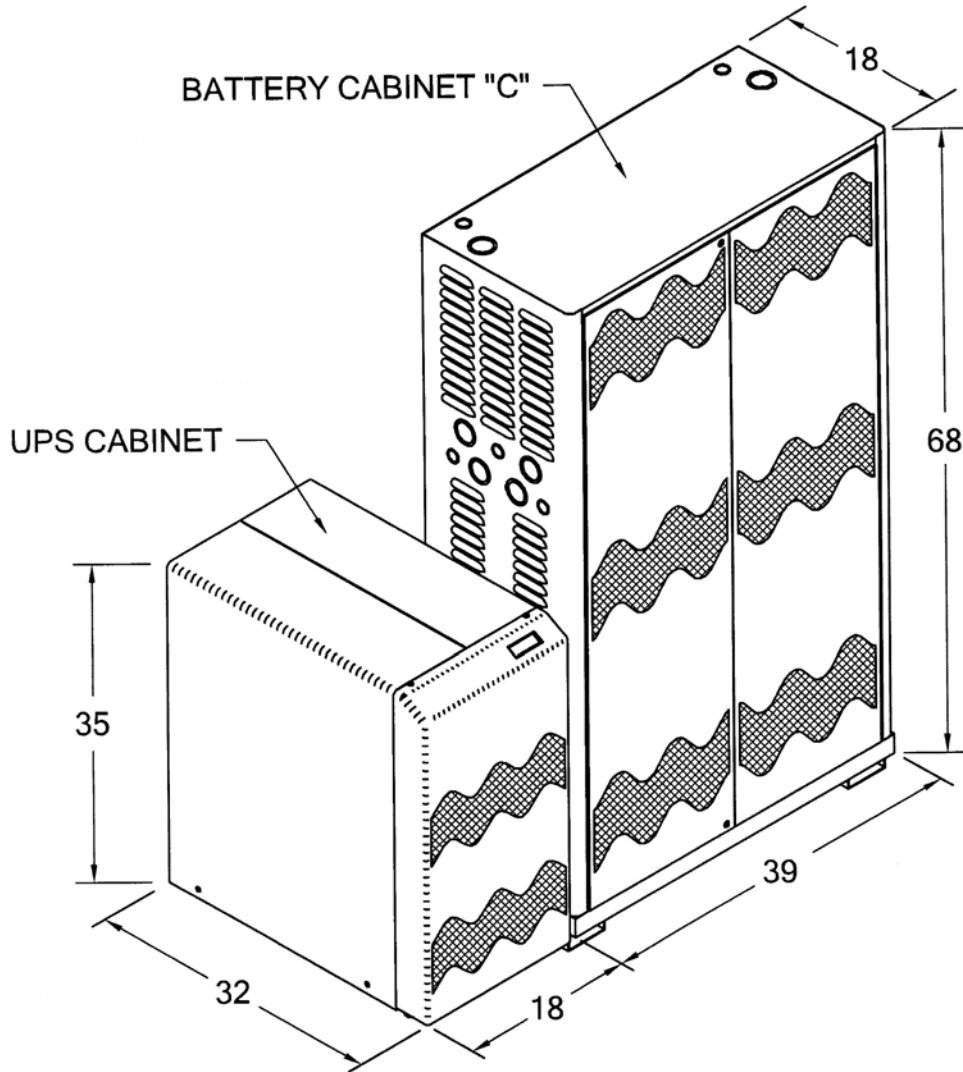
B CABINET BATTERY (QTY: 8) SYSTEM



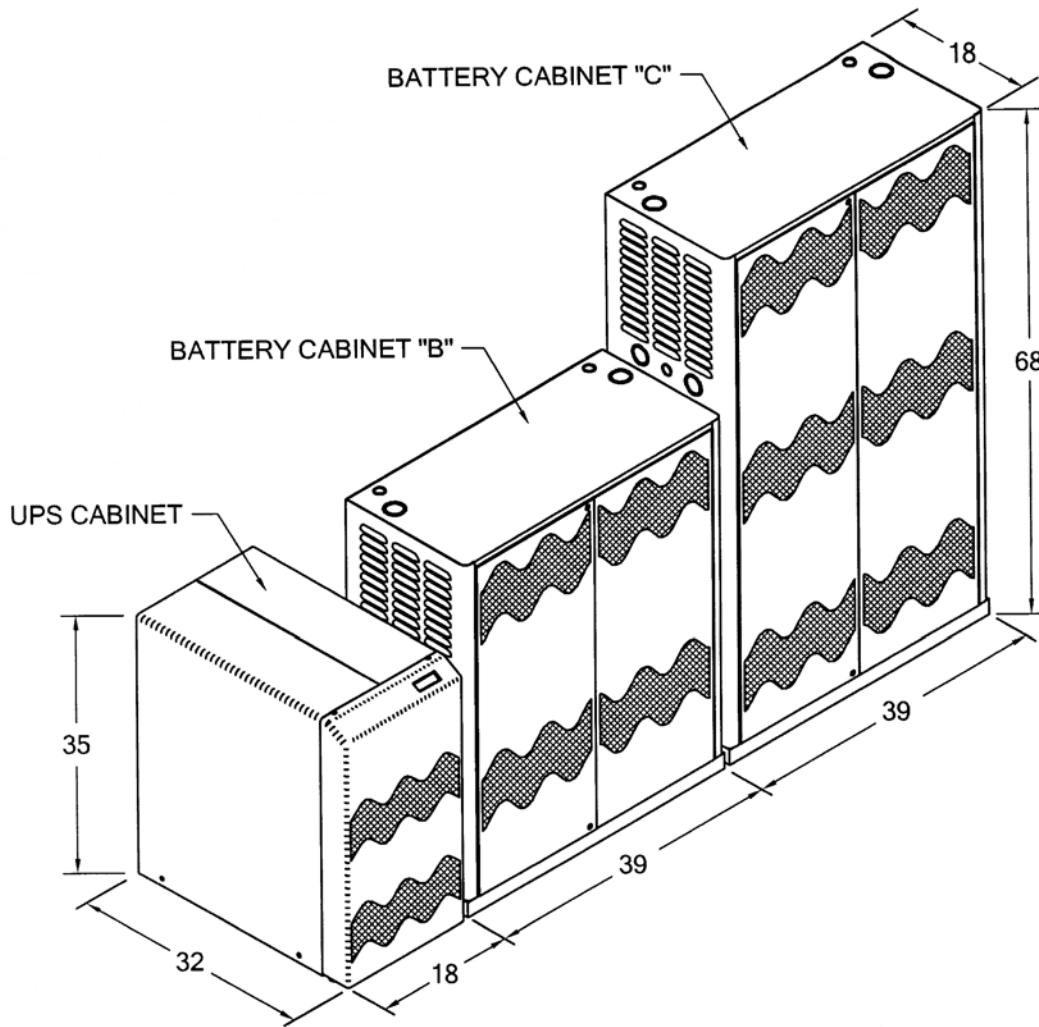
CABINETS BASIC ARRANGEMENT



CABINETS BASIC ARRANGEMENT

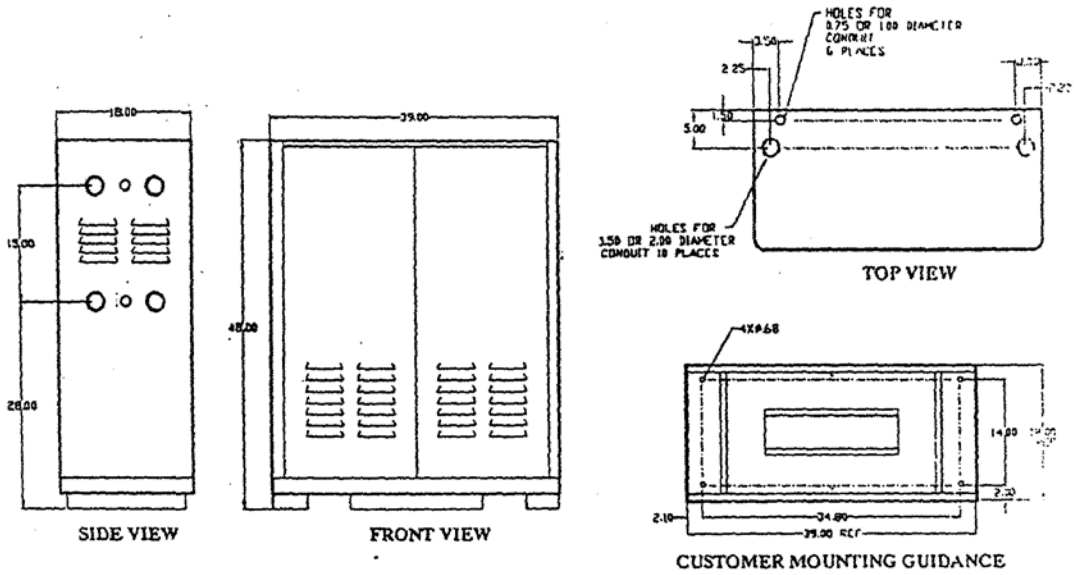


CABINETS BASIC ARRANGEMENT

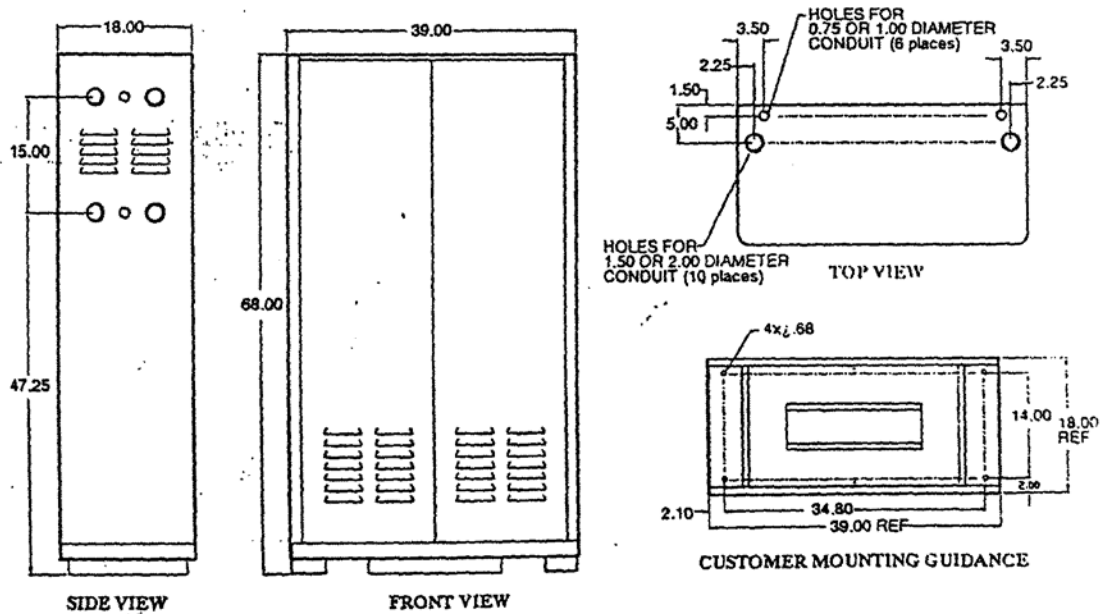


CABINETS BASIC ARRANGEMENT

BATTERY CABINET



48" CABINET CABLE ACCESS



66" CABINET CABLE ACCESS

OnLine Power
